

12mm Metal Shaft, Multi-Ganged Series

Application

- ✓ Audio, Home appliance, Industrial control, etc.

Feature

- ✓ Steady structure with optional metal shaft.



■Specification

Total Rotational Angle	300 ± 5°
Insulation Resistance	100MΩ or more at 500V DC
Dielectric Strength	500V AC, 1 minute
Rotational Torque	30 ~ 250 gf.cm
Shaft Stop Strength	5 kgf.cm
Rotational Life	15,000 cycles

■How to order

RD123SF – 20 B3 – 15K – B10K

Model

Bushing Type

Shaft

Taper and Resistance Value

Order Code	Taper	Resistance Value
A100K	Log/A	100KΩ
B1M	Linear/B	1MΩ

Taper: A, B

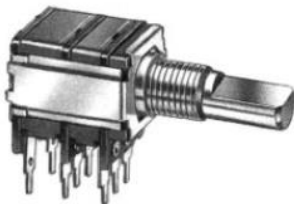
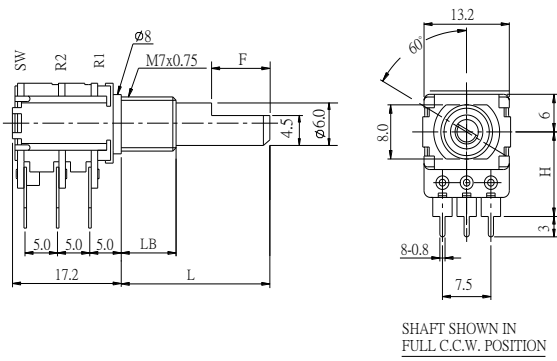
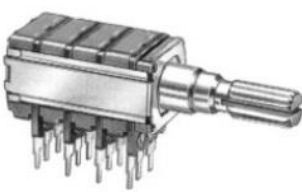
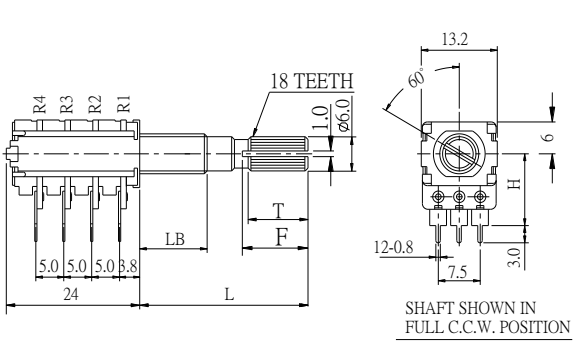
Resistance Value: 1KΩ to 500KΩ and 1MΩ

*Contact us for other requirements.

12mm Metal Shaft, Multi-Ganged Series

Model Description


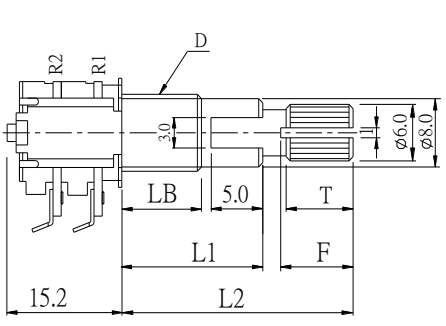
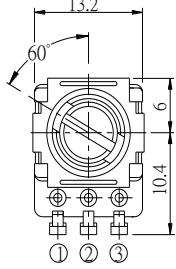
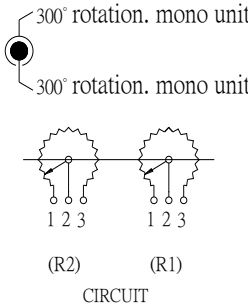
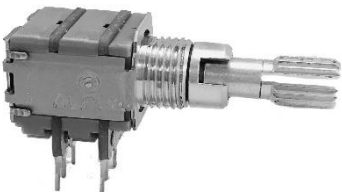
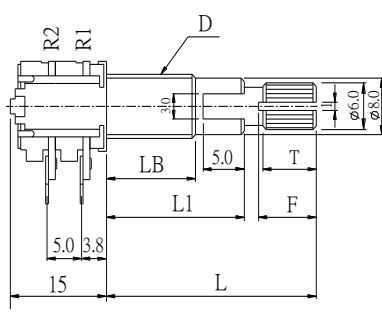
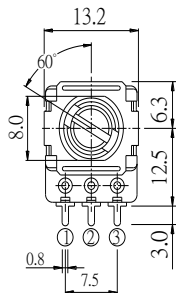
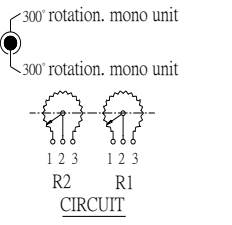
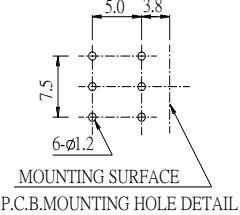

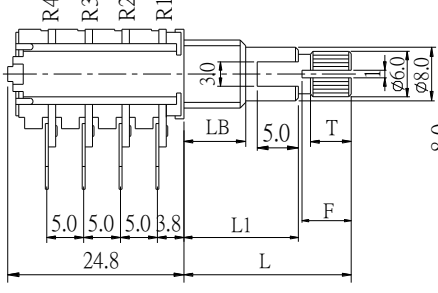
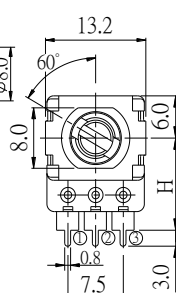
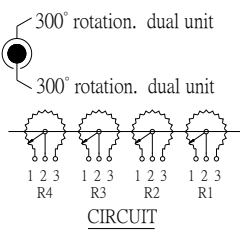
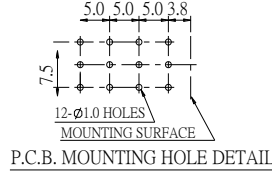
Model	Number of Shaft	Number of Unit	Terminal Type	With Sleeve or Bushing
RD123SF-20	Single shaft	Triple unit	PC board	Metal bushing
RD124F-20	Single shaft	Quad unit	PC board	Metal bushing
RD12BF-10	Dual shaft	Dual unit	Solder Lug	Metal bushing
RD12BF-20	Dual shaft	Dual unit	PC board	Metal bushing
RD12DF-20	Dual shaft	Quad unit	PC board	Metal bushing
RD12DSF-10	Dual shaft	Quad unit	Solder Lug	Metal bushing
RD12DSF-20	Dual shaft	Quad unit	PC board	Metal bushing

Order Code	Outline Drawing						
RD123SF-20 	 <p>● 300° rotation dual unit with switch S.P.S.T. 12VDC 3A</p> <p>CIRCUIT</p> <p>8-ϕ1.0 HOLES MOUNTING SURFACE</p> <p>P.C.B. MOUNTING HOLE DETAIL</p> <table border="1"> <tr> <td>Code</td> <td>H</td> </tr> <tr> <td>20</td> <td>12.5</td> </tr> <tr> <td>2A</td> <td>10</td> </tr> </table>	Code	H	20	12.5	2A	10
Code	H						
20	12.5						
2A	10						
RD124F-20 	 <p>● 300° rotation quad unit</p> <p>CIRCUIT</p> <p>12-ϕ1.0 HOLES MOUNTING SURFACE</p> <p>P.C.B. MOUNTING HOLE DETAIL</p> <table border="1"> <tr> <td>Code</td> <td>H</td> </tr> <tr> <td>20</td> <td>12.5</td> </tr> <tr> <td>2A</td> <td>10</td> </tr> </table>	Code	H	20	12.5	2A	10
Code	H						
20	12.5						
2A	10						

MOQ: 5Kpcs for each specification/ Part number.

[Back to top](#)

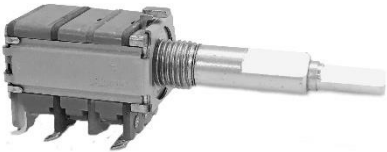
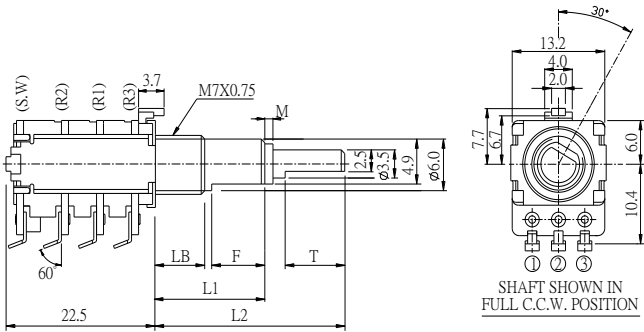
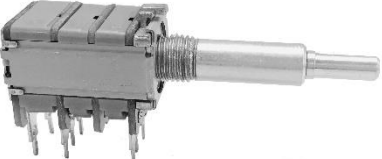
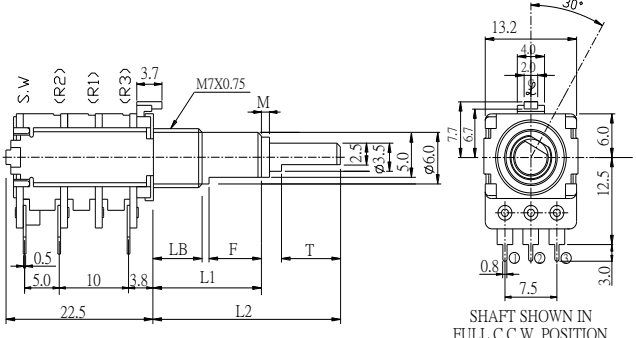
12mm Metal Shaft, Multi-Ganged Series

Order Code	Outline Drawing
<p>RD12BF-10</p> 	  <p>SHAFT SHOWN IN FULL C.C.W. POSITION</p>  <p>300° rotation. mono unit 300° rotation. mono unit</p> <p>(R2) (R1) CIRCUIT</p>
<p>RD12BF-20</p> 	   <p>300° rotation. mono unit 300° rotation. mono unit</p> <p>R2 R1 CIRCUIT</p>  <p>MOUNTING SURFACE P.C.B. MOUNTING HOLE DETAIL</p>
<p>RD12DF-20</p> 	  <p>SHAFT SHOWN IN FULL C.C.W. POSITION</p>  <p>300° rotation. dual unit 300° rotation. dual unit</p> <p>R4 R3 R2 R1 CIRCUIT</p>  <p>12-Ø1.0 HOLES MOUNTING SURFACE P.C.B. MOUNTING HOLE DETAIL</p>

MOQ: 5Kpcs for each specification/ Part number.

[Back to top](#)

12mm Metal Shaft, Multi-Ganged Series

Order Code	Outline Drawing	
<p>RD12DSF-10</p> 	 <p>300° rotation. mono unit 300° rotation. dual unit with switch S.P.S.T. 12VDC 3A</p> <p>OFF ON 1 2 3 1 2 3 1 2 3 (S.W) (R2) (R1) (R3) CIRCUIT</p> <p>SHAFT SHOWN IN FULL C.C.W. POSITION</p>	
<p>RD12DSF-20</p> 	 <p>300° rotation. mono unit 300° rotation. dual unit with switch S.P.S.T. 12VDC 3A</p> <p>OFF ON 1 2 3 1 2 3 1 2 3 (S.W) (R2) (R1) (R3) CIRCUIT</p> <p>5.0 10 3.8 7.5 8-$\phi 1.0^{+0.2}$ MOUNTING SURFACE P.C.B.MOUNTING HOLE DETAIL</p> <p>SHAFT SHOWN IN FULL C.C.W. POSITION</p>	

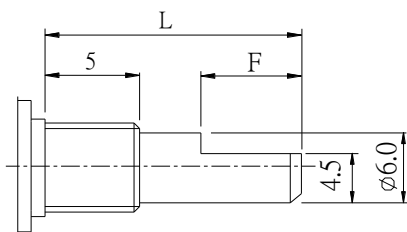
[Back to top](#)

12mm Metal Shaft, Multi-Ganged Series

■ Shaft and Bushing Dimensions

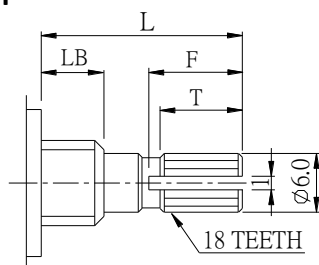
For Single-shaft

F Type



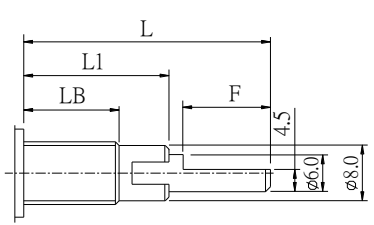
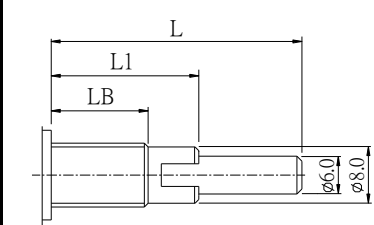
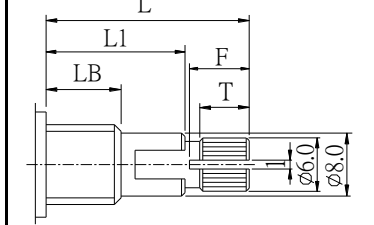
L	15	20	25
F	7	12	12

K Type



L	15	20	25
F	7	9	14
T	6	8	12

For Dual-shaft

Order Code	(L)F	(L)R	(L)K
Shaft Type	Flat shaft	Round shaft	18 Teeth knurled
Dimensions			

Design and specifications presented here are for the standard parts only. Please kindly contact us for your special requests and ask for the current technical specifications before purchase and/or use.

[Back to top](#)