

## Wire-Wound Power Rotary Series

### Application

- ✓ Home appliance, Precision Apparatus, Automotive, Industrial Control, etc.

### Feature

- ✓ Accurate, and have excellent properties for low resistance values



### ■ Specification

Total Rotational Angle	300 ± 5°
Maximum Operating Voltage	250V AC
Insulation Resistance	100MΩ Min. at 500V DC
Dielectric Strength	1KV AC at 1 minute
Rotational Torque	30 ~ 300 gf.cm
Rotational Stop Strength of the Shaft	6 kgf.cm Min.
Rated Wattage	3W
Rotational Life	15,000 cycles

### ■ How to order

VW24F – 10 – 20K – B5Ω

Model

Shaft


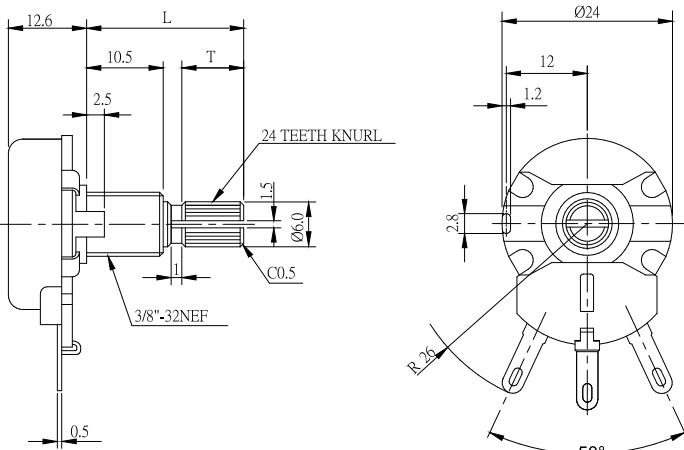

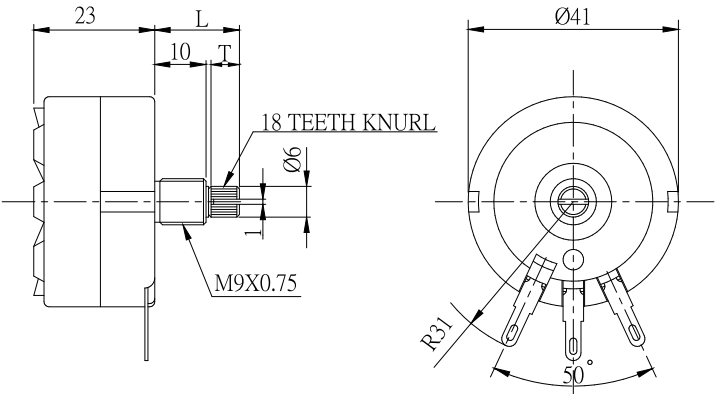
#### Taper and Resistance Value

Model	Taper	Resistance Value
VW24F	Linear/B	5Ω~3KΩ
VW40F	Linear/B	5Ω~500Ω

## Wire-Wound Power Rotary Series

### Model Description

Model	Terminal Type	Bushing Type		Bushing Thread
<a href="#">VW24F-10</a>	Solder Lug	3/8"-32NEF	10.5mm	With thread
<a href="#">VW40F-10</a>	Solder Lug	M9X0.75	10mm	With thread

Order Code	Outline Drawing
VW24F-10 	
VW40F-10 	

Design and specifications presented here are for the standard parts only. Please kindly contact us for your special requests and ask for the current technical specifications before purchase and/or use.

[Back to top](#)