

11mm Metal Shaft Rotary Encoder

Application

- ✓ Audio, Home appliance, Precision apparatus, Automotive, Communication, Industrial control, etc.

Feature

- ✓ Switch with self-return function



■Specification

Rotation Angle	80 °+10 °/-5 °
Rating Voltage	5V DC 10mA (I mA Min.)
Operating Temperature	-10 °C~70°C
Rotational Torque	30 ~ 300 gf.cm
Rotational Life	15,000 cycles (rotate ccw and rotate cw as 1 cycle)
Switch Circuit	S.P.S.T. (Push on)
Switch Stroke	0.5 mm
Switch Rating	16V DC 0.5A (1mA Min.)
Switch Operating Force	400±200 gf.cm
Switch Operating Life	20,000 cycles

■How to order

RE11RF – 40(D)N - 15F - OP

[Model](#)

Resolution

Order Code	Pulses	Detents
OP	0	0

[Shaft](#)

Terminal Type

Code	Terminal type	Push Switch
40	Vertical	Without switch
41	Vertical	With switch

Code	Bushing Type (D)	
B3	∅7mm	7mm

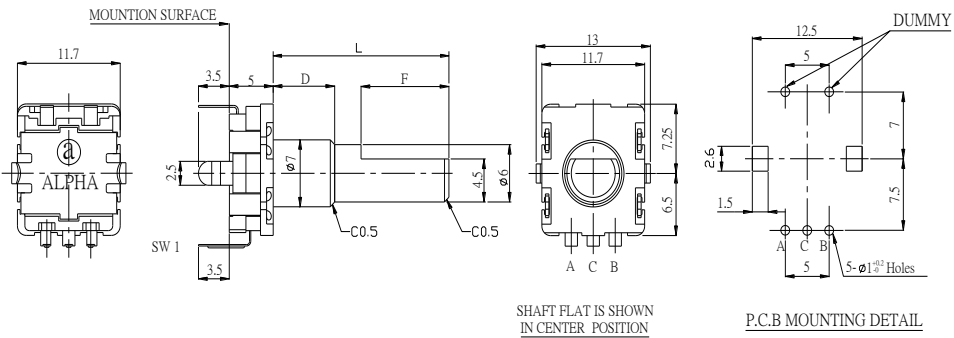
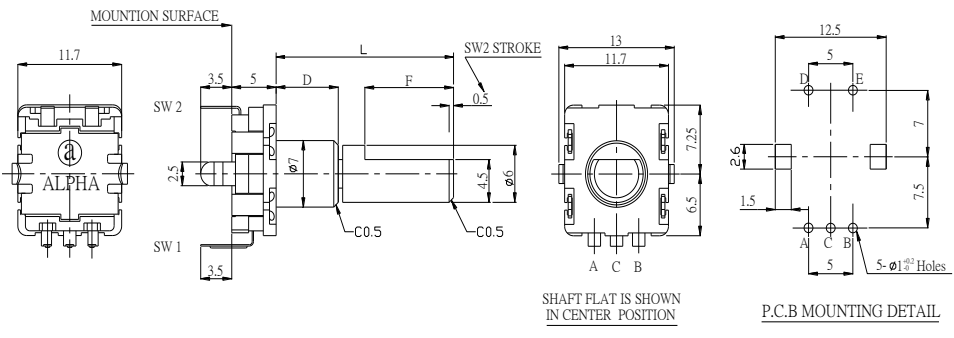
N means Without thread

11mm Metal Shaft Rotary Encoder

Model Description

Model	Terminal Type	Push Switch	Bushing Type (D)		Bushing Thread
RE11RF-40B3N	Vertical	Without switch	Ø7mm	7mm	Without thread
RE11RF-41B3N	Vertical	With switch	Ø7mm	7mm	Without thread

MOQ:10,000pcs for each specification/ Part number.

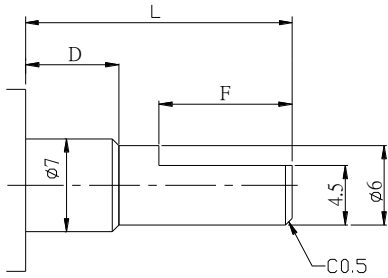
Order Code	Outline Drawing
RE11RF-40B3N (SW 1 with self-return function)	 <p>SHAFT FLAT IS SHOWN IN CENTER POSITION</p> <p>P.C.B MOUNTING DETAIL</p>
RE11RF-41B3N (SW 1 with self-return function)	 <p>SHAFT FLAT IS SHOWN IN CENTER POSITION</p> <p>P.C.B MOUNTING DETAIL</p>

[Back to top](#)

11mm Metal Shaft Rotary Encoder

■ Shaft and Bushing Dimensions

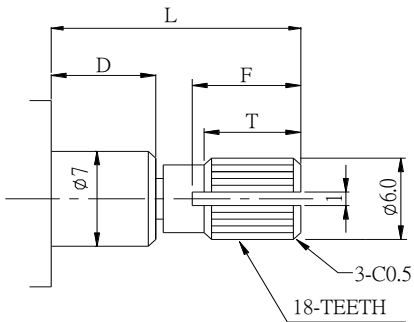
F Type



Without switch & With switch

D	7(B3)	7(B3)	7(B3)
L	15	20	25
F	6	10	12

K Type



D	7(B3)
L	20
F	7
T	6

Design and specifications presented here are for the standard parts only. Please kindly contact us for your special requests and ask for the current technical specifications before purchase and/or use.

[Back to top](#)