

# Membrane Force Sensor




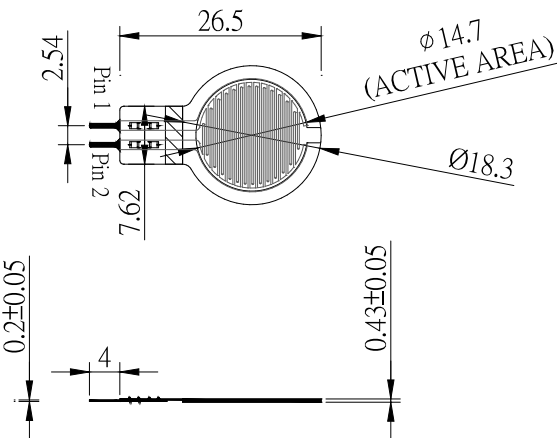
14.7mm Circle Active Area

## Application

✓ Fitness, Medical, Industrial and many others

## Feature

✓ Ultra-thin, Flexible and sealed properties, Velocity-sensitive

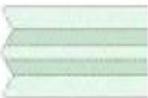

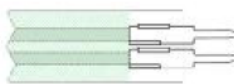

Order Code	Outline Drawing
<p>MF01-N-221-A06</p> 	

## SPECIFICATION

MODEL	MF01-N-221-A06
FORCE SENSITIVITY RANGE	30g ~ 1000g (0.3N ~ 9.8N)
ACTIVE AREA	φ 14.7mm
FORCE REPEATABILITY (SINGLE PART)	±2%
FORCE REPEATABILITY (PART TO PART)	±10%
FORCE RESOLUTION	Continuous(Analog)
STAND-OFF RESISTANCE (UNLOADED)	>20MΩ
RESPONSE TIME	<1ms
OPERATING TEMPERATURE	-20°C to +70°C
LIFE CYCLE (WITHOUT FAILURE)	>5 Million

Specification based on 1kg actuator measurement, one standard deviation / mean.

## CONNECTOR OPTIONS

Bare Tail	Female Contacts	Solder Tabs (pin)	Female Contact with Housing
			

Design and specifications presented here are for the standard parts only. Please kindly contact us for your special requests and ask for the current technical specifications before purchase and/or use.