

Membrane Force Sensor




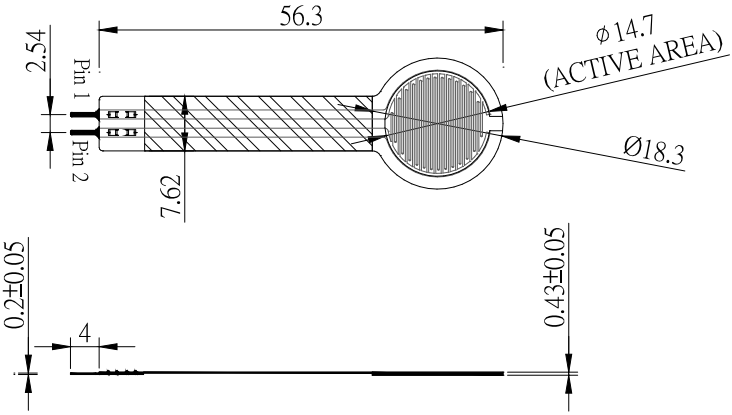
14.7mm Circle Active Area

Application

✓ Fitness, Medical, Industrial and many others

Feature

✓ Ultra-thin, Flexible and sealed properties, Velocity-sensitive

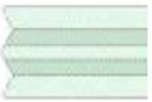

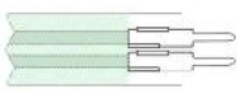

| Order Code | Outline Drawing |
|---|---|
| <p>MF01-N-221-A01</p>  |  |

SPECIFICATION

| MODEL | MF01-N-221-A01 |
|------------------------------------|---------------------------|
| FORCE SENSITIVITY RANGE | 30g ~ 1000g (0.3N ~ 9.8N) |
| ACTIVE AREA | φ 14.7mm |
| FORCE REPEATABILITY (SINGLE PART) | ±2% |
| FORCE REPEATABILITY (PART TO PART) | ±10% |
| FORCE RESOLUTION | Continuous(Analog) |
| STAND-OFF RESISTANCE (UNLOADED) | >20MΩ |
| RESPONSE TIME | <1ms |
| OPERATING TEMPERATURE | -20°C to +70°C |
| LIFE CYCLE (WITHOUT FAILURE) | >5 Million |

Specification based on 1kg actuator measurement, one standard deviation / mean.

CONNECTOR OPTIONS

| Bare Tail | Female Contacts | Solder Tabs (pin) | Female Contact with Housing |
|---|---|--|---|
|  |  |  |  |

Design and specifications presented here are for the standard parts only. Please kindly contact us for your special requests and ask for the current technical specifications before purchase and/or use.