

Membrane Position Sensor




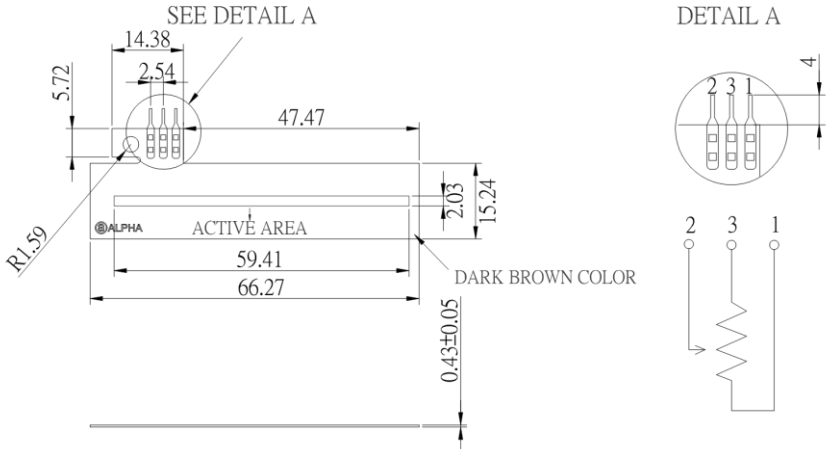

60mm Active Length

Application

✓ IoT and Logistics, Industrial and many others.

Feature


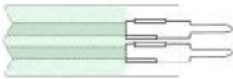

✓ Slim and Flexible

| Order Code | Outline Drawing |
|---|---|
| MAT060-B□□K-231-A02  |  |
| MAT060-B□□K-231-A03  | |

SPECIFICATION

| MODEL | MAT060-B□□K-231-A02 | MAT060-B□□K-231-A03 |
|---------------------------------|-------------------------------|-------------------------------|
| POSITION LINEARITY, INDEPENDENT | ±3% | ±3% |
| RESISTANCE TOLERANCE | ±20% | ±20% |
| ACTIVE LENGTH | 60mm | 60mm |
| POWER RATING | 1 Watt max. @25°C | 1 Watt max. @25°C |
| LIFE CYCLE(WITHOUT FAILURE) | >0.5 Million | >0.5 Million |
| OPERATING TEMPERATURE | -20°C to +70°C | -20°C to +85°C |
| IP RATING | IP65 | IP65 |
| HUMIDITY | No affect @ 95% RH, 4hrs<50°C | No affect @ 95% RH, 4hrs<50°C |

CONNECTOR OPTIONS

| Female Contacts | Solder Tabs (pin) | Female Contact with Housing |
|---|---|---|
|  |  |  |

Design and specifications presented here are for the standard parts only. Please kindly contact us for your special requests and ask for the current technical specifications before purchase and/or use.