

# Membrane Position Sensor




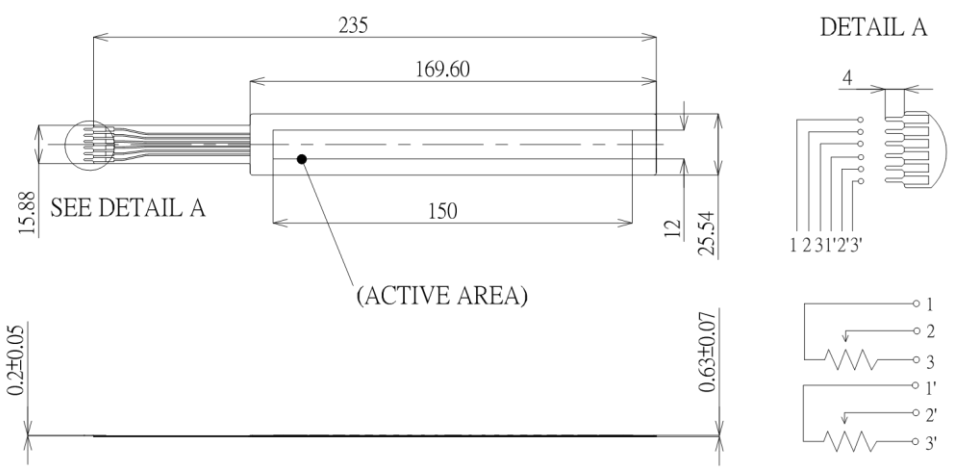
150mm Active Length

## Application

✓ IoT and Logistics, Industrial and many others

## Feature


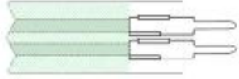

✓ Dual-Touch, Slim and Flexible

Order Code	Outline Drawing	
MAS150-B□□K-262-A01  		

## SPECIFICATION

MODEL	MAS150-B□□K-262-A01
POSITION LINEARITY, INDEPENDENT	±3%
RESISTANCE TOLERANCE	±20%
ACTIVE LENGTH	150mm
POWER RATING	1 Watt max. @25°C
LIFE CYCLE(WITHOUT FAILURE)	>0.5 Million
OPERATING TEMPERATURE	-20°C to +70°C
IP RATING	IP65
HUMIDITY	No affect @ 95% RH, 4hrs<50°C

## CONNECTOR OPTIONS

Female Contacts	Solder Tabs (pin)	Female Contact with Housing
		

Design and specifications presented here are for the standard parts only. Please kindly contact us for your special requests and ask for the current technical specifications before purchase and/or use.