

11mm Rotary Type, Snap-In, Transparent Shaft

Application

- ✓ TV/Video, Audio, Musical instruments

Feature

- ✓ Light pipe compatible with SMD type LED



■Specification

Total Rotational Angle	300±5°
Maximum Operating Voltage	50V AC / 20V DC
Insulation Resistance	100MΩ min at DC500V
Dielectric Strength	AC300V for 1 minute
Rotational Torque	20-200 gf.cm
Click Torque	Rotation torque + 20-200 gf.cm
Rotational Stop Strength of the Shaft	With bushing 5 kgf.cm min, without bushing 4 kgf.cm min
Push/Pull Strength of the Shaft	6kgf for 3 sec
Rotation Life	15,000 cycles

■How to order

RV110F-40 - 25AL - B10K - 007

Model

Shaft Type

Taper and Resistance Value

Order Code	Taper	Resistance Value
A100K	Log/A	100KΩ
B1M	Linear/B	1MΩ
C500K	Rev-log/C	500KΩ

Taper: A, B and C

Resistance Value: 1KΩ to 500KΩ and 1MΩ

*Contact us for other requirements.


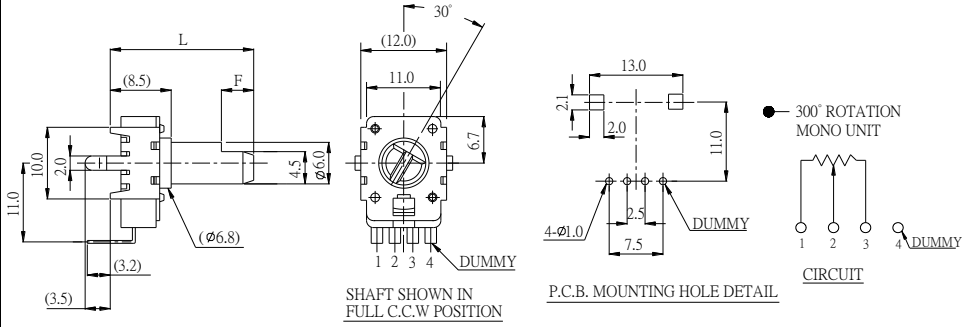

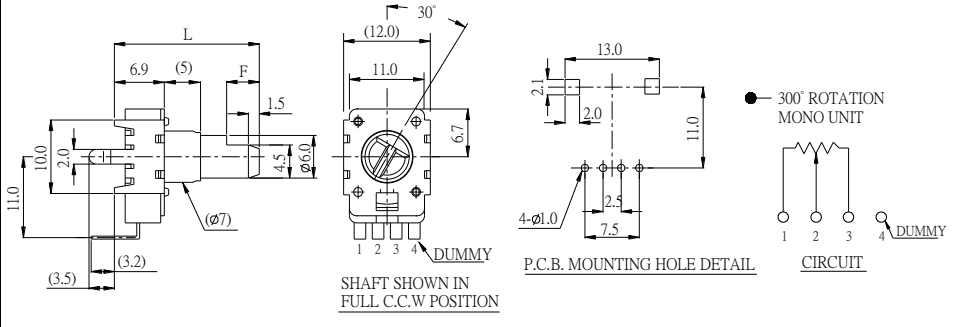
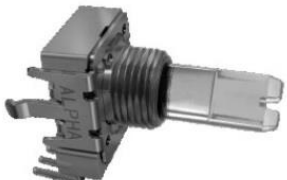
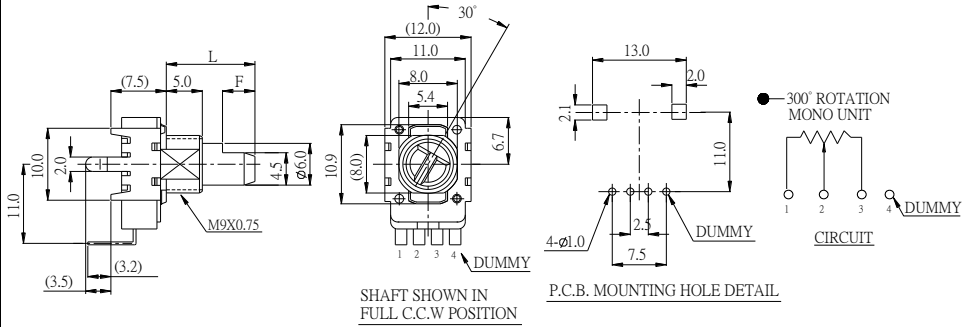
Click

Order Code	Description
007	No click
0C7	With center click

11mm Rotary Type, Snap-In, Transparent Shaft

Model Description

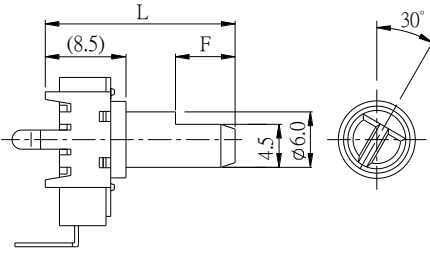
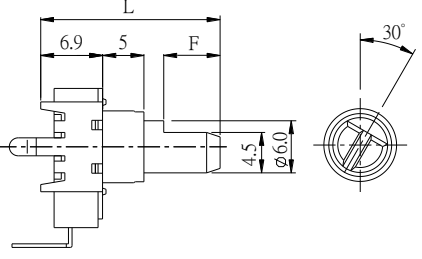
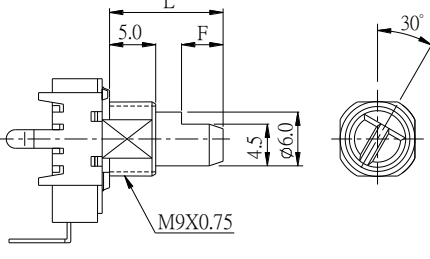
Model	Number of Unit	Terminal Type	With Sleeve or Bushing	Rotational Angle
RV110F-40	Single unit	Vertical	N/A	300±5°
RV110CF-40	Single unit	Vertical	Sleeve	300±5°
RV110F-40E1	Single unit	Vertical	Metal bushing	300±5°

Order Code	Outline Drawing
 <p>RV110F-40</p>	 <p>SHAFT SHOWN IN FULL C.C.W POSITION</p> <p>P.C.B. MOUNTING HOLE DETAIL</p> <p>CIRCUIT</p>
 <p>RV110CF-40</p>	 <p>SHAFT SHOWN IN FULL C.C.W POSITION</p> <p>P.C.B. MOUNTING HOLE DETAIL</p> <p>CIRCUIT</p>
 <p>RV110F-40E1</p>	 <p>SHAFT SHOWN IN FULL C.C.W POSITION</p> <p>P.C.B. MOUNTING HOLE DETAIL</p> <p>CIRCUIT</p>

[Back to top](#)

11mm Rotary Type, Snap-In, Transparent Shaft

■ AL Type Plastic Shaft

RV110F-40-25AL	RV110CF-40-25AL	RV110F-40E1-175AL											
													
<table border="1" data-bbox="395 817 718 963"> <tr> <td>Order Code</td> <td>25AL</td> </tr> <tr> <td>L</td> <td>25</td> </tr> <tr> <td>T</td> <td>7</td> </tr> </table>	Order Code	25AL	L	25	T	7	<table border="1" data-bbox="1109 817 1444 963"> <tr> <td>Order Code</td> <td>175AL</td> </tr> <tr> <td>L</td> <td>17.5</td> </tr> <tr> <td>T</td> <td>7</td> </tr> </table>	Order Code	175AL	L	17.5	T	7
Order Code	25AL												
L	25												
T	7												
Order Code	175AL												
L	17.5												
T	7												

Design and specifications presented here are for the standard parts only. Please kindly contact us for your special requests and ask for the current technical specifications before purchase and/or use.

[Back to top](#)