

11mm Rotary Type, Snap-In, Transparent Shaft

Application

- ✓ TV/Video, Audio, Musical instruments

Feature

- ✓ Light pipe compatible with SMD type LED



■ Specification

Total Rotational Angle	300±5°
Maximum Operating Voltage	50V AC
Insulation Resistance	100MΩ min at DC250V
Dielectric Strength	AC300V for 1 minute
Rotational Torque	20-200 gf.cm
Click Torque	20-200 gf.cm
Rotational Stop Strength of the Shaft	With bushing 5 kgf.cm min, without bushing 4 kgf.cm min
Push/Pull Strength of the Shaft	6kgf for 3 sec
Rotation Life	15,000 cycles

■ How to order

RV112BF-40 - 25AL - B10K - 007

Model

Shaft Type

Taper and Resistance Value

Order Code	Taper	Resistance Value
A100K	Log/A	100KΩ
B1M	Linear/B	1MΩ
C500K	Rev-log/C	500KΩ

Taper: A, B and C

Resistance Value: 1KΩ to 500KΩ and 1MΩ

*Contact us for other requirements.


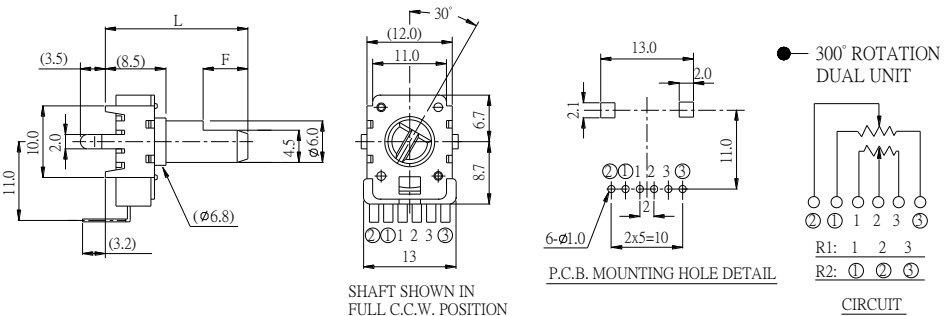

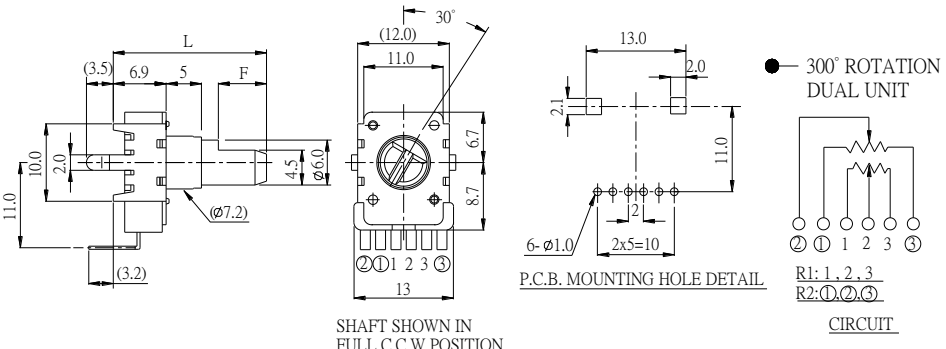

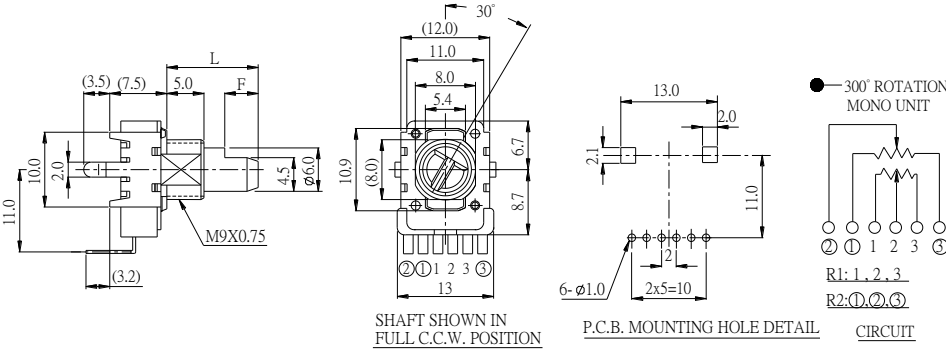
Click

Order Code	Description
007	No click
0C7	With center click

11mm Rotary Type, Snap-In, Transparent Shaft

Model Description

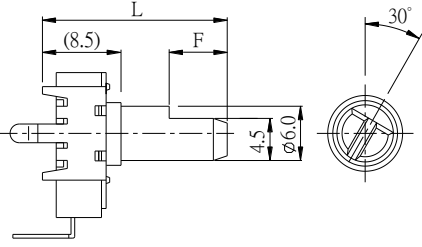
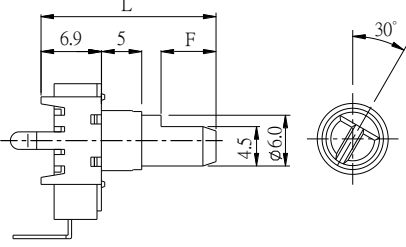
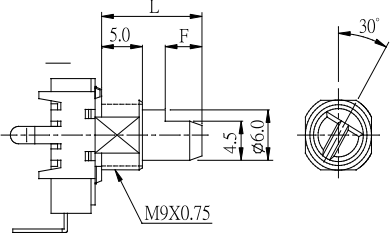
Model	Number of Unit	Terminal Type	With Sleeve or Bushing	Rotational Angle
RV112BF-40	Dual unit	Vertical	N/A	300±5°
RV112BCF-40	Dual unit	Vertical	Sleeve	300±5°
RV112BFF-40E1	Dual unit	Vertical	Metal bushing	300±5°

Order Code	Outline Drawing
 <p>RV112BF-40</p>	 <p>SHAFT SHOWN IN FULL C.C.W. POSITION</p> <p>P.C.B. MOUNTING HOLE DETAIL</p> <p>300° ROTATION DUAL UNIT</p> <p>CIRCUIT</p>
 <p>RV112BCF-40</p>	 <p>SHAFT SHOWN IN FULL C.C.W. POSITION</p> <p>P.C.B. MOUNTING HOLE DETAIL</p> <p>300° ROTATION DUAL UNIT</p> <p>CIRCUIT</p>
 <p>RV112BFF-40E1</p>	 <p>SHAFT SHOWN IN FULL C.C.W. POSITION</p> <p>P.C.B. MOUNTING HOLE DETAIL</p> <p>300° ROTATION MONO UNIT</p> <p>CIRCUIT</p>

[Back to top](#)

11mm Rotary Type, Snap-In, Transparent Shaft

■ AL Type Plastic Shaft

RV112BF-40-25AL	RV112BCF-40-25AL	RV112BF-40E1-175AL												
														
<table border="1" data-bbox="395 779 718 929"> <thead> <tr> <th>Order Code</th> <th>25AL</th> </tr> </thead> <tbody> <tr> <td>L</td> <td>25</td> </tr> <tr> <td>T</td> <td>7</td> </tr> </tbody> </table>		Order Code	25AL	L	25	T	7	<table border="1" data-bbox="1114 779 1449 929"> <thead> <tr> <th>Order Code</th> <th>175AL</th> </tr> </thead> <tbody> <tr> <td>L</td> <td>17.5</td> </tr> <tr> <td>T</td> <td>7</td> </tr> </tbody> </table>	Order Code	175AL	L	17.5	T	7
Order Code	25AL													
L	25													
T	7													
Order Code	175AL													
L	17.5													
T	7													

Design and specifications presented here are for the standard parts only. Please kindly contact us for your special requests and ask for the current technical specifications before purchase and/or use.

[Back to top](#)