

## 14mm Quad Gangs, Snap-In Series

### Application

- ✓ TV/Video, Audio, Home appliance, Musical instrument

### Feature

- ✓ Suit for various applications



### ■Specification

Total Rotational Angle	300±5°
Maximum Operating Voltage	50V AC, 20V DC
Insulation Resistance	100MΩ min at DC250V
Dielectric Strength	AC300V for 1 minute
Rotational Torque	20-200 gf.cm
Click Torque	30-300 gf.cm
Rotational Stop Strength of the Shaft	With bushing: 5kgf-cm, without bushing: 4kgf-cm
Push/Pull Strength of the Shaft	8kgf for 3 sec
Rotation Life	15,000 cycles

### ■How to order

**RV144BF-40E3 - 165A - 2B10K - 0C**

Model

Shaft Type

Taper and Resistance Value

Order Code	Taper	Resistance Value
2B20K	2B	20KΩ

Click


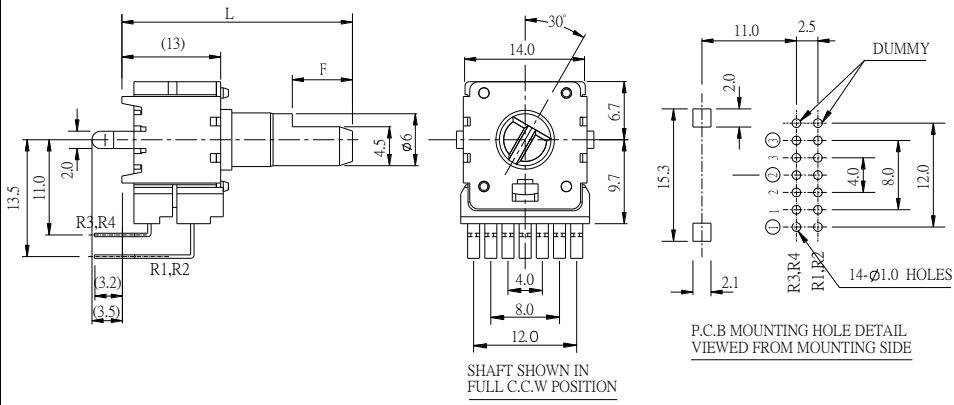

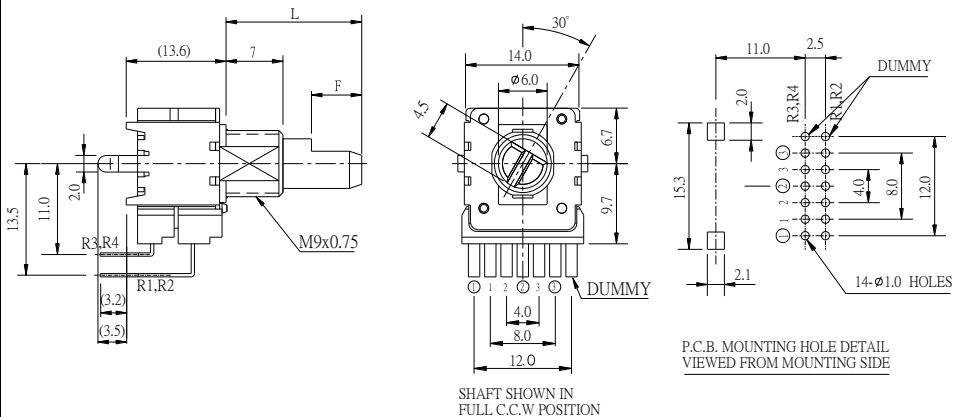
Order Code	Description
Blank	No click
0C	With center click

## 14mm Quad Gangs, Snap-In Series

### Model Description

Model	Number of Unit	Terminal Type	Bushing	Rotational Angle
<a href="#">RV144BF-40</a>	Quad unit	Vertical	N/A	300±5°
<a href="#">RV144BF-40E3</a>	Quad unit	Vertical	Bushing	300±5°

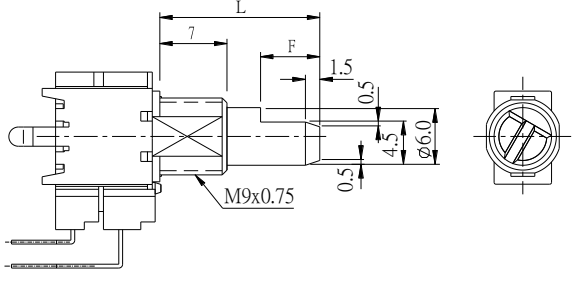
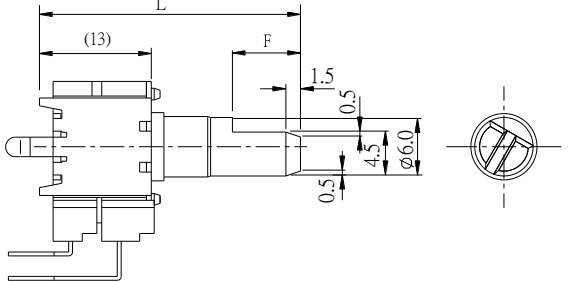
MOQ:10,000pcs for each specificaton/ Part number

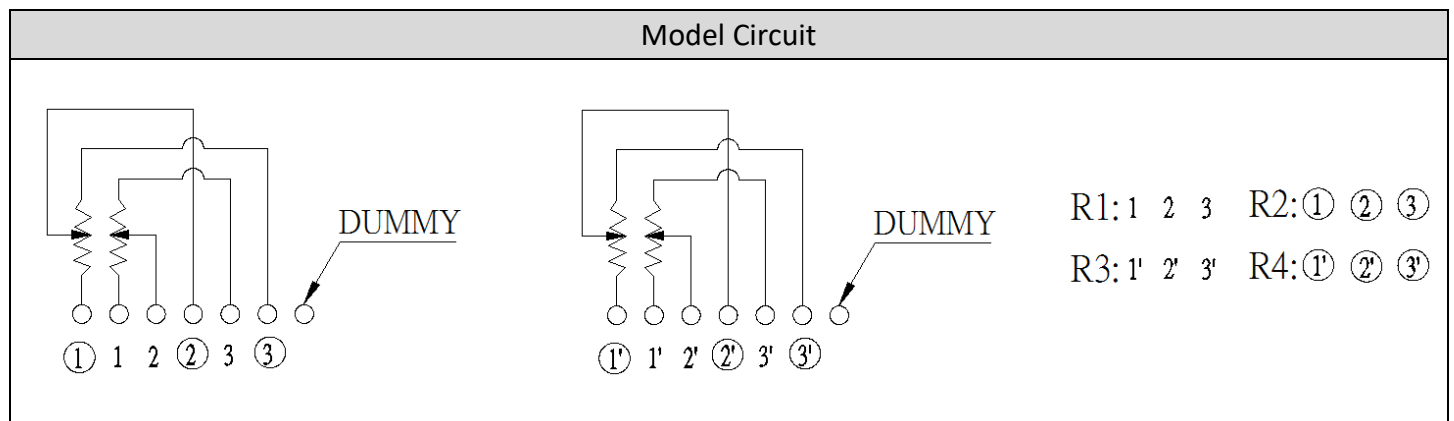
Order Code	Outline Drawing
<p>RV144BF-40</p> 	 <p>SHAFT SHOWN IN FULL C.C.W POSITION</p> <p>P.C.B. MOUNTING HOLE DETAIL VIEWED FROM MOUNTING SIDE</p>
<p>RV144BF-40E3</p> 	 <p>SHAFT SHOWN IN FULL C.C.W POSITION</p> <p>P.C.B. MOUNTING HOLE DETAIL VIEWED FROM MOUNTING SIDE</p>

[Back to top](#)

## 14mm Quad Gangs, Snap-In Series

### ■ A Type Plastic Shaft

RV144BF-40E3				RV144BF-40			
							
Order Code	115A	165A	215A	Order Code	25A	30A	35A
L	11.5	16.5	21.5	L	25	30	35
F	4.5	9.5	12	F	7	12	12



Design and specifications presented here are for the standard parts only. Please kindly contact us for your special requests and ask for the current technical specifications before purchase and/or use.

[Back to top](#)