

## 16mm Snap-In, Insulated Shaft Series

### Application

- ✓ TV/Video, Audio, Home appliance, Musical instrument, Industrial control

### Feature

- ✓ Suit for various applications



### ■Specification

Total Rotational Angle	300±5°		
Maximum Operating Voltage	Number of Unit	Linear Taper (B)	Other Tapers
	Single unit	200V AC	150V AC
	Dual unit	50V AC	50V AC
Insulation Resistance	100MΩ min at DC500V for single unit, 100MΩ min at DC250V for dual unit		
Dielectric Strength	AC500V for 1 minute for single unit, AC300V for 1 minute for dual unit		
Rotational Torque	20-200 gf.cm		
Click Torque	60-250 gf.cm		
Rotational Stop Strength of the Shaft	6kgf-cm		
Push/Pull Strength of the Shaft	8kgf for 3 sec		
Rotation Life	15,000 cycles		

### ■How to order

RV0600DF-43E3 - 25A - B10K

[Model](#)

[Shaft Type](#)

#### Taper and Resistance Value

Order Code	Taper	Resistance Value
A100K	Log/A	100KΩ
B10K	Linear/B	10KΩ
C500K	Rev-log/C	500KΩ

Taper: A, B and C


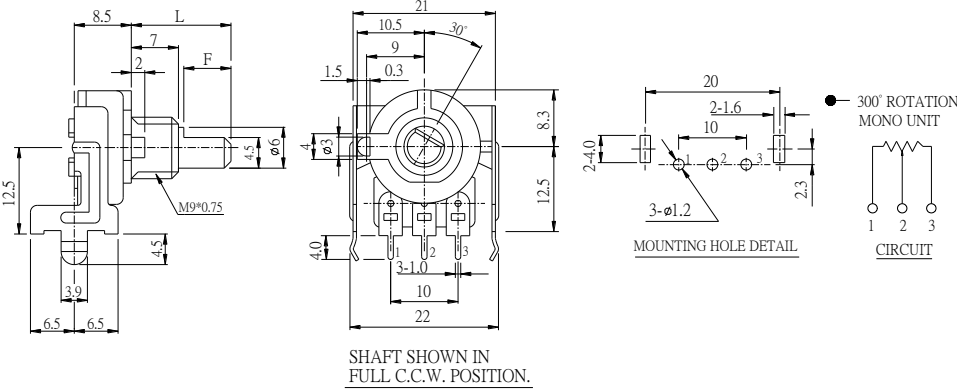
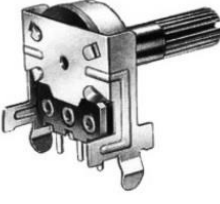
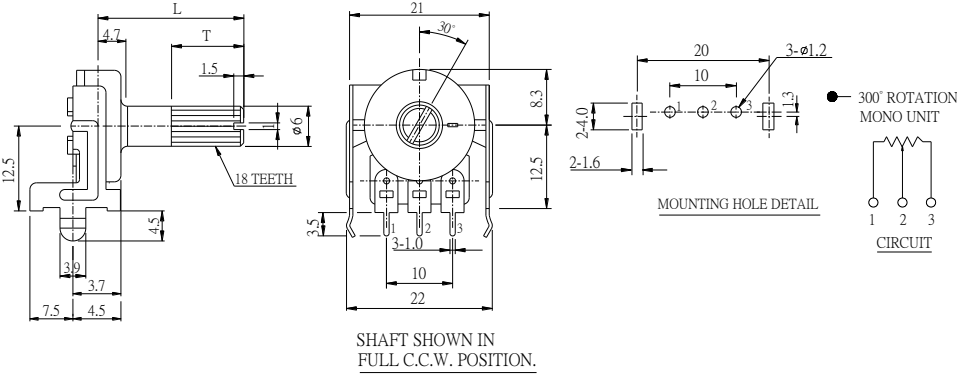
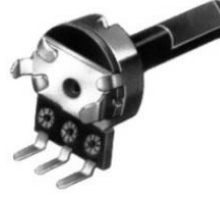
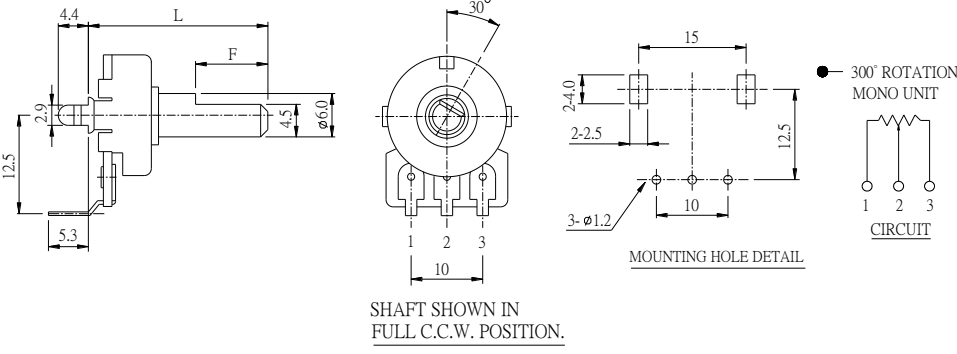
Resistance Value: 1KΩ to 500KΩ

\*Contact us for other requirements.

## 16mm Snap-In, Insulated Shaft Series

### ■ Model Description

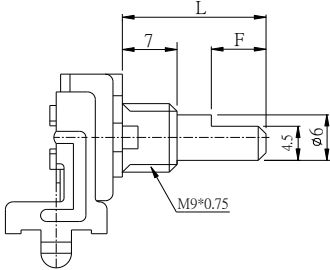
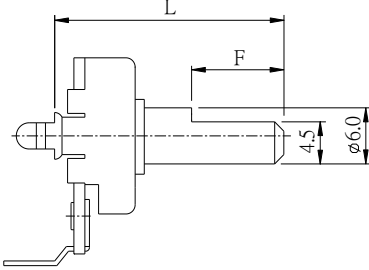
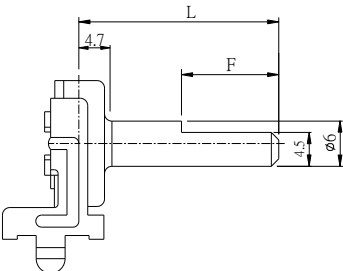
Model	Number of Unit	Terminal Type	Bushing	Rotational Angle
<a href="#">RV06002F-23E3</a>	Single unit	Horizontal	Metal	300±5°
<a href="#">RV06003F-23</a>	Single unit	Horizontal	N/A	300±5°
<a href="#">RV0600DF-43</a>	Single unit	Vertical	N/A	300±5°

Order Code	Outline Drawing
<p>RV06002F-23E3</p> 	 <p>SHAFT SHOWN IN FULL C.C.W. POSITION.</p>
<p>RV06003F-23</p> 	 <p>SHAFT SHOWN IN FULL C.C.W. POSITION.</p>
<p>RV0600DF-43</p> 	 <p>SHAFT SHOWN IN FULL C.C.W. POSITION.</p>

[Back to top](#)

## 16mm Snap-In, Insulated Shaft Series

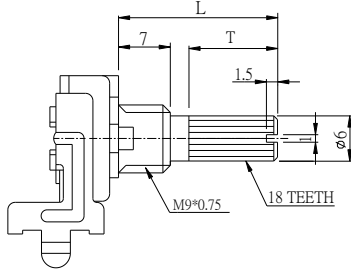
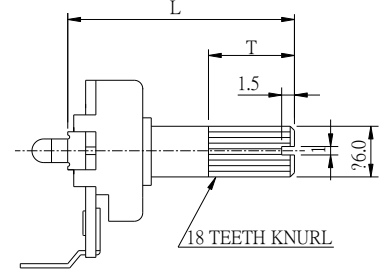
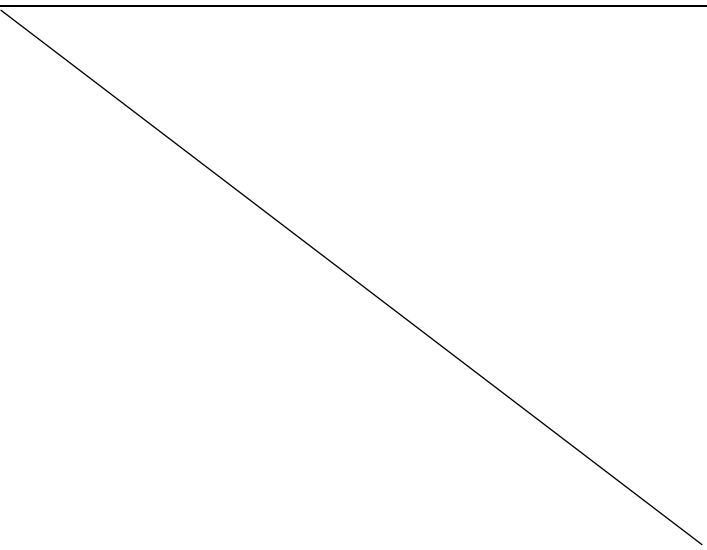
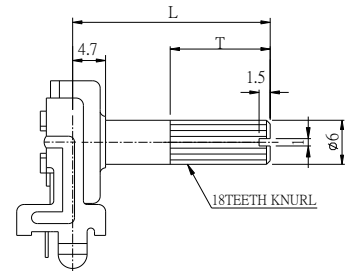
### ■ F & A Type Plastic Shaft

RV06002F-23E3-(L)F					RV0600DF-43-(L)F			
								
Order Code	15F	20F	25F		Order Code	20F	25F	30F
L	15	20	25		L	20	25	30
F	7	12	12		F	7	7	12
RV06003F-23-(L)F								
								
Order Code	15F	20F	25F	30F				
L	15	20	25	30				
F	7	7	12	12				

[Back to top](#)

## 16mm Snap-In, Insulated Shaft Series

### ■ B Type Plastic Shaft

RV06002F-23E3-(L)B				RV0600DF-43-(L)B					
									
Order Code	15B	20B	25B	Order Code	15B	20B	25B	30B	35B
L	15	20	25	L	15	20	25	30	35
T	7	12	12	T	4.8	7	7	12	12
RV06003F-23-(L)B									
									
Order Code	15B	20B	25B						
L	15	20	25						
T	7	12	12						

Design and specifications presented here are for the standard parts only. Please kindly contact us for your special requests and ask for the current technical specifications before purchase and/or use.

[Back to top](#)