

12mm Metal Shaft Rotary Encoder

Application

- ✓ Audio, Home appliance, Precision apparatus, Automotive, Communication, Industrial control, etc.



Feature

- ✓ Incremental Output Signal Encoder

■Specification

Rotation Angle	360° endless
Rating	5V DC 10mA (1mA MIN)
Operating Temperature	-25 °C~70 °C
Rotational Torque	60 +/- 30 gf.cm
Rotational Life	30,000 cycles (at speed of 600-1000/h)

■How to order

RE121WF – 40B1 – 15F – 24P

[Model](#)

[Resolution](#)

Code	Model	Pulses	Detents
24P	RE121WF	24	24

Terminal Type

Code	Terminal type	Push Switch
40	Vertical	Without switch

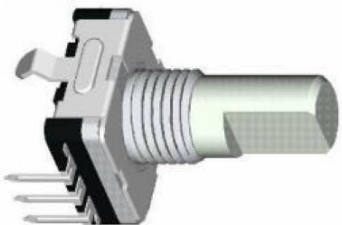
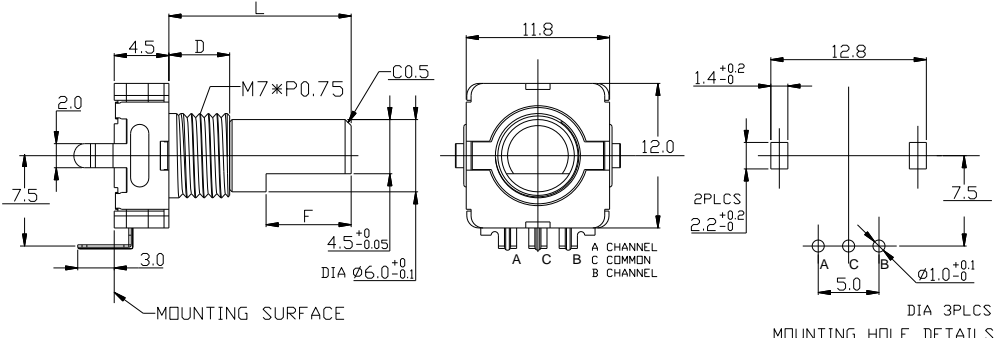
Code	Bushing Type (D)		Bushing Thread
B1	M7X0.75	5mm	With thread

Shaft

12mm Metal Shaft Rotary Encoder

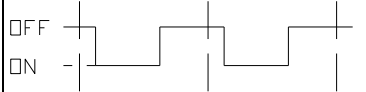
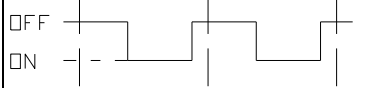
Model Description

Model	Terminal Type	Push Switch	Bushing Type (D)		Bushing Thread
RE121WF-40B1	Vertical	Without switch	M7X0.75	5mm	With thread

Order Code	Outline Drawing
RE121WF-40B1-(L)F-24P	 

[Back to top](#)

Resolution and Output Signal

Model	Resolution (Pulses/Rotation)	Detent Number	Output Signal Format		
			Shaft Rotational Direction	Signal	Output
RE121WF	24/360°	24	C.W.	A (Terminal A-C)	
				B (Terminal B-C)	

Design and specifications presented here are for the standard parts only. Please kindly contact us for your special requests and ask for the current technical specifications before purchase and/or use.

[Back to top](#)