

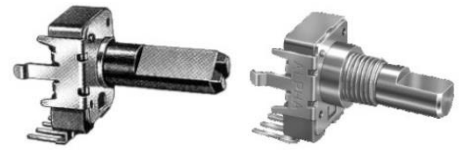
11mm Endless Rotary Type, Metal & Plastic Shaft

Application

- ✓ TV/Video, Audio, Musical instruments

Feature

- ✓ 360° degrees continuous potentiometer



■Specification

Total Rotational Angle	360° endless
Maximum Operating Voltage	5-15V DC
Insulation Resistance	100MΩ min at DC250V
Dielectric Strength	AC150V for 1 minute
Rotational Torque	10-200 gf.cm
Push/Pull Strength of the Shaft	6kgf for 3 sec
Rotation Life	15,000 cycles

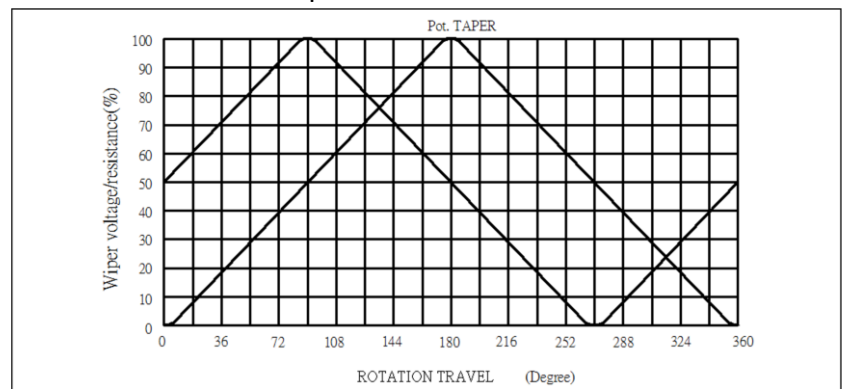
■How to order

RV112FF-40 - 15A - 0B10K

Model

Shaft Type

Standard Resistance Taper:



Taper and Resistance Value

Order Code	Taper	Resistance Value
0B1M	Linear (0B)	1MΩ

Taper: 0B taper

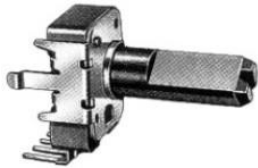
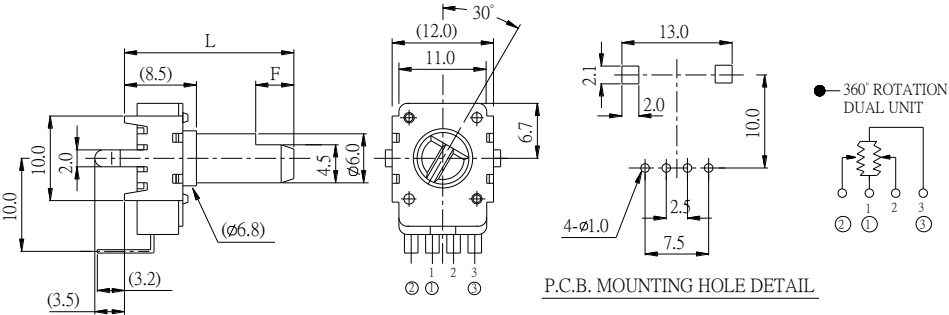

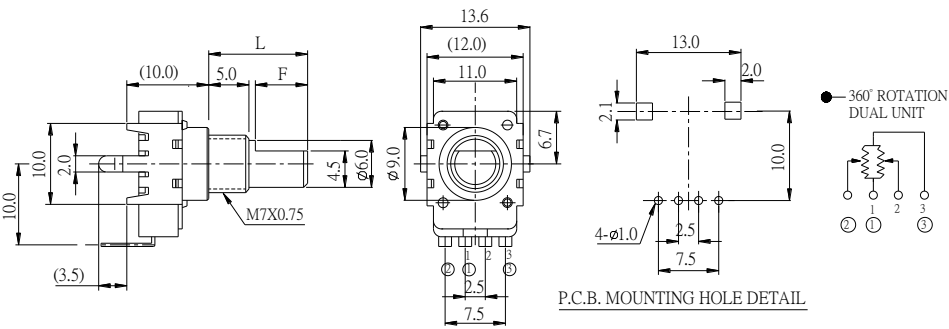

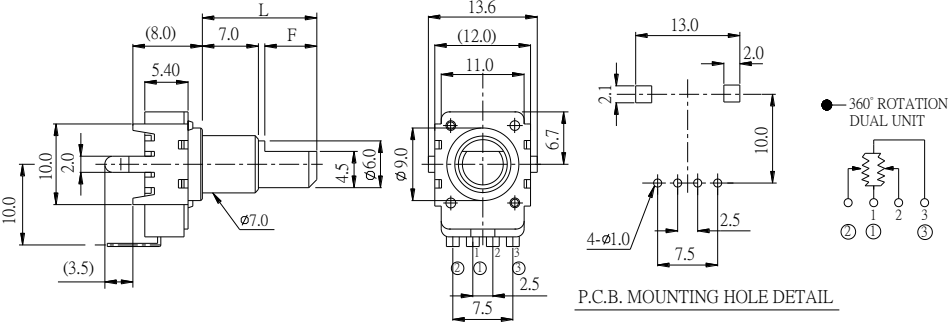
Resistance Value: 1KΩ to 500KΩ and 1MΩ

*Contact us for other requirements.

11mm Endless Rotary Type, Metal & Plastic Shaft

Model Description

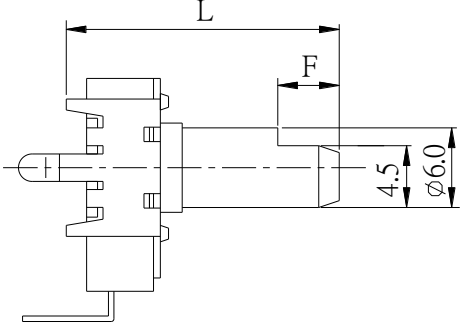
Model	Number of Unit	Terminal Type	Bushing	Shaft	Rotational Angle
RV112FF-40	Dual unit	Vertical	N/A	Plastic	360°
RV112FF-40B1	Dual unit	Vertical	Metal	Metal	360°
RV112FF-40B3N	Dual unit	Vertical	Metal bushing without thread	Metal	360°

Order Code	Outline Drawing
RV112FF-40 	
RV112FF-40B1 	
RV112FF-40B3N 	

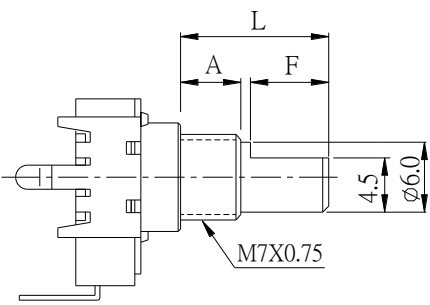
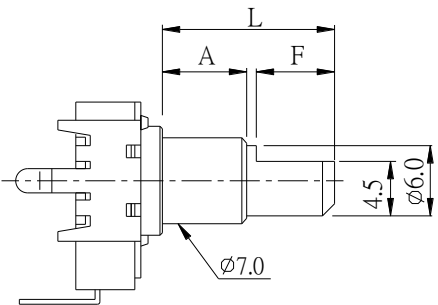
[Back to top](#)

11mm Endless Rotary Type, Metal & Plastic Shaft

■ A Type Plastic Shaft

RV112FF-40-(L)A										
										
Order Code	15A	20A	225A	25A	275A	30A	325A	375A		
L	15	20	22.5	25	25	27.5	30	32.5	37.5	
F	4.5	7	7	7	12	12	12	12	12	

■ F Type Metal Shaft

RV112FF-40B1-(L)F	RV112FF-40B3N-(L)F																								
																									
<table border="1" style="width: 100%; border-collapse: collapse;"> <thead> <tr> <th>Order Code</th> <th>15F</th> <th>20F</th> <th>25F</th> </tr> </thead> <tbody> <tr> <td>L</td> <td style="text-align: center;">15</td> <td style="text-align: center;">20</td> <td style="text-align: center;">25</td> </tr> <tr> <td>A</td> <td style="text-align: center;">5</td> <td style="text-align: center;">5</td> <td style="text-align: center;">5</td> </tr> </tbody> </table>	Order Code	15F	20F	25F	L	15	20	25	A	5	5	5	<table border="1" style="width: 100%; border-collapse: collapse;"> <thead> <tr> <th>Order Code</th> <th>15F</th> <th>20F</th> <th>25F</th> </tr> </thead> <tbody> <tr> <td>L</td> <td style="text-align: center;">15</td> <td style="text-align: center;">20</td> <td style="text-align: center;">25</td> </tr> <tr> <td>A</td> <td style="text-align: center;">7</td> <td style="text-align: center;">7</td> <td style="text-align: center;">7</td> </tr> </tbody> </table>	Order Code	15F	20F	25F	L	15	20	25	A	7	7	7
Order Code	15F	20F	25F																						
L	15	20	25																						
A	5	5	5																						
Order Code	15F	20F	25F																						
L	15	20	25																						
A	7	7	7																						

Design and specifications presented here are for the standard parts only. Please kindly contact us for your special requests and ask for the current technical specifications before purchase and/or use.

[Back to top](#)