

## 16mm Rotary Type with High Rating Switch

### Application

- ✓ Home appliance, Industrial control, Lighting control

### Feature

- ✓ High Switch Rating



### ■Specification

Total Rotational Angle	RV16D: 300±5°
Maximum Operating Voltage	RV16D: 250V AC
Insulation Resistance	100MΩ at DC 500V
Dielectric Strength	RV16DSF: AC 2000V for 1 minute RV16DPF: AC 3000V for 1 minute
Rotational Torque	RV16D: 20-150 gf.cm
Rotational Stop Strength of the Shaft	RV16DPF: 3.5kgf.cm min; Others: 4kgf.cm min
Push/Pull Strength of the Shaft	RV16D: 10kgf for 10 sec
Rotation Life	RV16D: 25,000 cycles
Switch Working Angle/ Stroke	RV16DSF: 35° ±10° ; RV16DPF: 3.4±0.1mm
Switch Working Torque/ Force	RV16DSF: 300±100 gf; RV16DPF: 1500±500gf.cm
Switch Life	RV16D: 25,000 cycles

### ■How to order

RV16DPF – 40F4 – 19F – 0B100K – 0P

[Model](#)

[Plastic Shaft Type](#)

Click

Order Code	Taper
0P	37 Positions click
Blank	Without click

\*Only for RV16DPF

Taper and Resistance Value

Model	Order Code	Taper	Resistance Value
RV16D	0B1M	Linear/B	1MΩ


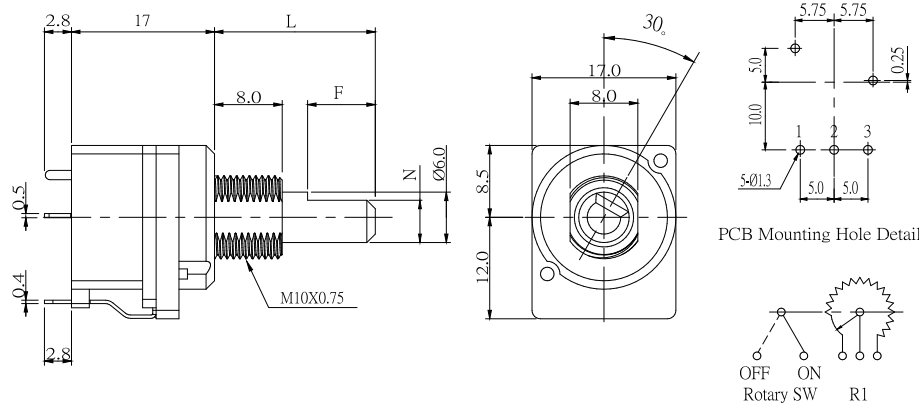
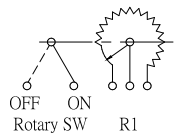

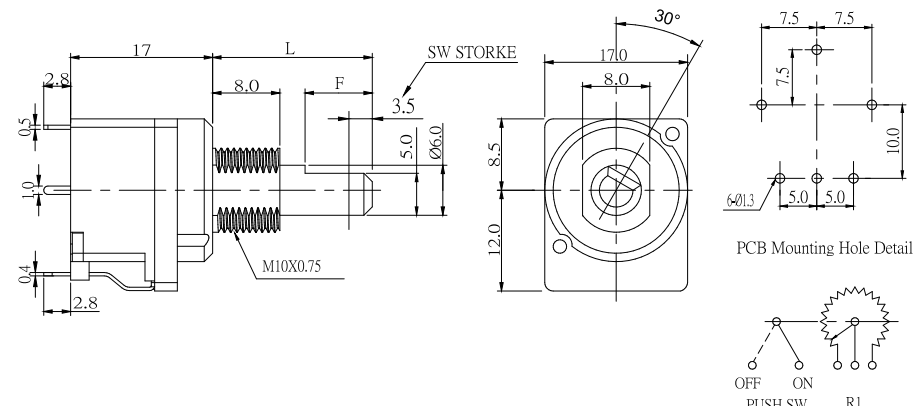
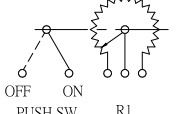
Resistance Value: 1KΩ to 500KΩ and 1MΩ

\*Contact us for other requirements.

## 16mm Rotary Type with High Rating Switch

### Model Description

Model	Number of Unit	Switch Function	Terminal Type	Bushing & Shaft	Rotational Angle
<a href="#">RV16DSF-40F4</a>	Single unit	S.P.S.T Rotary SW	Vertical	Plastic bushing and shaft	300°±5°
<a href="#">RV16DPF-40F4</a>	Single unit	S.P.D.T Push SW	Vertical	Plastic bushing and shaft	300°±5°

Order Code	Outline Drawing
<p>RV16DSF-40F4</p> 	 <p>PCB Mounting Hole Detail</p> 
<p>RV16DPF-40F4</p> 	 <p>PCB Mounting Hole Detail</p> 

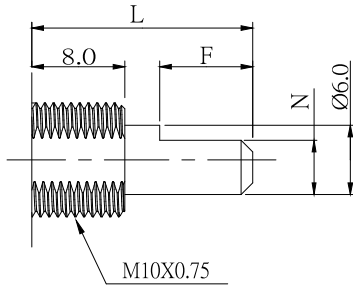
[Back to top](#)

## 16mm Rotary Type with High Rating Switch

### ■ Plastic Shaft Type

RV16DSF-40F4

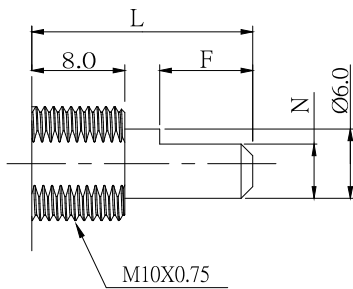
F Type



Order Code	L	F	N
17F	17	8	5.0

RV16DPF-40F4

F Type



Order Code	L	F	N
19F	19	7	5.0

Design and specifications presented here are for the standard parts only. Please kindly contact us for your special requests and ask for the current technical specifications before purchase and/or use.

[Back to top](#)