

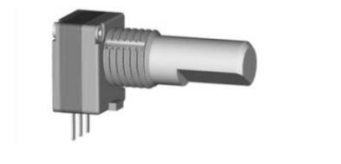
7mm Rotary Type, Metal Shaft Series

Application

- ✓ Audio, Home appliance, Automotive, Communication

Feature

- ✓ Miniature Design



■Specification

| | |
|---------------------------------------|-----------------------|
| Total Rotational Angle | 300±5° |
| Maximum Operating Voltage | 50V A.C, 10V D.C |
| Insulation Resistance | 100MΩ at DC250V |
| Dielectric Strength | A.C 300V for 1 minute |
| Rotational Torque | 10-150 gf.cm |
| Click Torque | 15-150 gf.cm |
| Rotational Stop Strength of the Shaft | 2.5 kgf.cm |
| Push/Pull Strength of the Shaft | 10 kgf.cm |
| Rotation Life | 15,000 cycles |

■How to order

RD701F-20B1 – 15F – B100K - 0C

[Model](#)

[Metal Shaft Type](#)

Taper and Resistance Value

| Order Code | Taper | Resistance Value |
|------------|-----------|------------------|
| A100K | Log/A | 100KΩ |
| B1M | Linear/B | 1MΩ |
| C500K | Rev-log/C | 100KΩ |

Taper: A, B and C

Resistance Value: 1KΩ to 500KΩ and 1MΩ

*Contact us for other requirements.

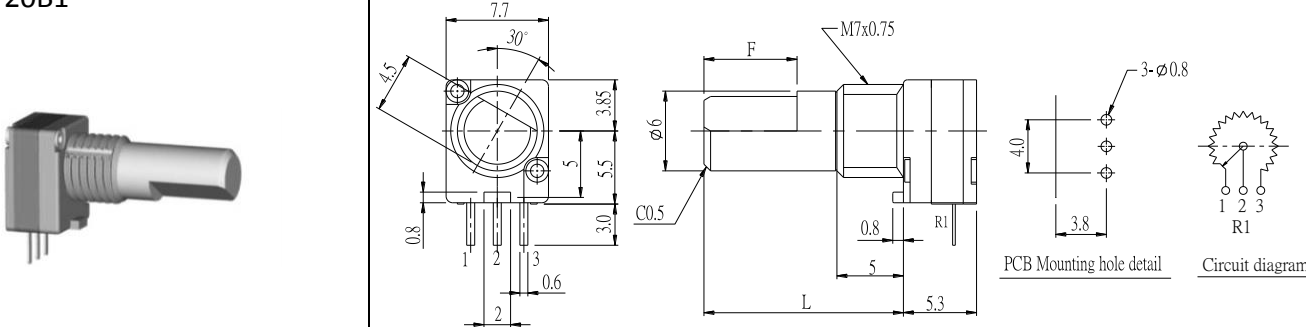
Number of Click

| Order code | Description |
|------------|-------------------|
| Blank | No click |
| 0C | With center click |

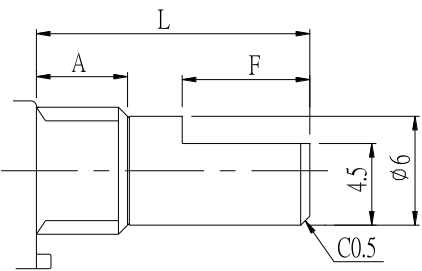
7mm Rotary Type, Metal Shaft Series

Model Description

| Model | Number of Unit | Switch Function | Terminal Type | With Sleeve or Bushing | Rotational Angle |
|-----------------------------|----------------|-----------------|---------------|------------------------|------------------|
| RD701F-20B1 | Single unit | N/A | Horizontal | Metal bushing | 300°±5° |

| Order Code | Outline Drawing |
|-------------|--|
| RD701F-20B1 |  <p>Shaft show in full C.C.W. position</p> |

Metal Shaft Type

| <p>F Type</p>  | <p>A : 5mm</p> <table border="1" data-bbox="869 1288 1204 1433"> <thead> <tr> <th>Order Code</th> <th>L</th> <th>F</th> </tr> </thead> <tbody> <tr> <td>12.5F</td> <td>12.5</td> <td>6</td> </tr> <tr> <td>15F</td> <td>15</td> <td>7</td> </tr> </tbody> </table> | Order Code | L | F | 12.5F | 12.5 | 6 | 15F | 15 | 7 |
|--|--|------------|---|---|-------|------|---|-----|----|---|
| Order Code | L | F | | | | | | | | |
| 12.5F | 12.5 | 6 | | | | | | | | |
| 15F | 15 | 7 | | | | | | | | |

Design and specifications presented here are for the standard parts only. Please kindly contact us for your special requests and ask for the current technical specifications before purchase and/or use.

[Back to top](#)