

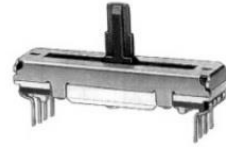
Low-Profile Slide Series

Application

- ✓ Audio, Home appliance, Lighting control, etc.

Feature

- ✓ Smooth slide feeling.



■ Specification

Operating Temperature Range	-10 °C~70°C
Standard Resistance Tolerance	±20%
Insulation Resistance	100 MΩ Min. at DC250V
Dielectric Strength	1 minute at 300V AC
Travel Distance	20mm, 30mm, 45mm, 60mm
Operating Force	30~250 gf.cm
Sliding Life	15,000 cycles

■ How to order

RA2044F-20 – 15C1 - B10K - 01

Model

Lever Type

Taper and Resistance Value

Ex:

Order Code	Taper	Resistance Value
A100K	Log/A	100KΩ
B1M	Linear/B	1MΩ

Taper: A and B

Resistance Value: 1KΩ to 500KΩ and 1MΩ

*Contact us for other requirements.

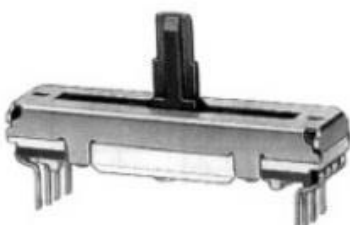
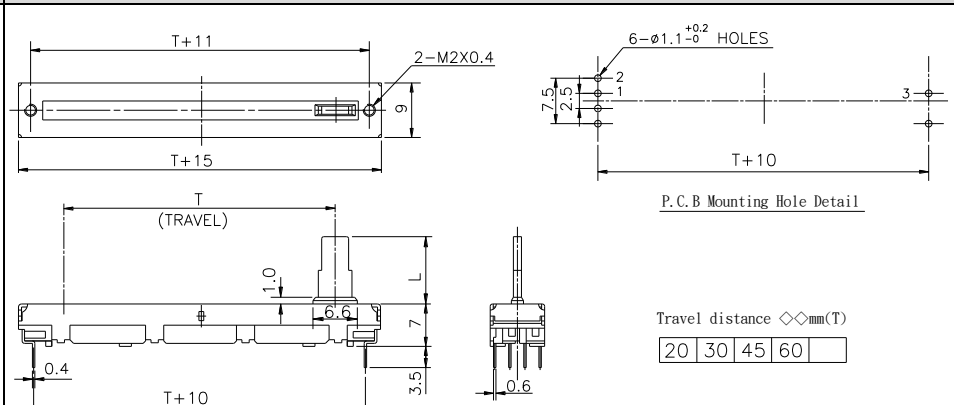
Click and Dust Cover

Order Code	Description
01	With dust cover
C	With center click
C1	With center click and dust cover
Blank	Without center click and dust cover

Low-Profile Slide Series

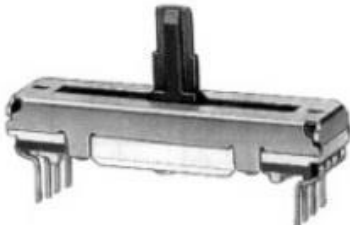
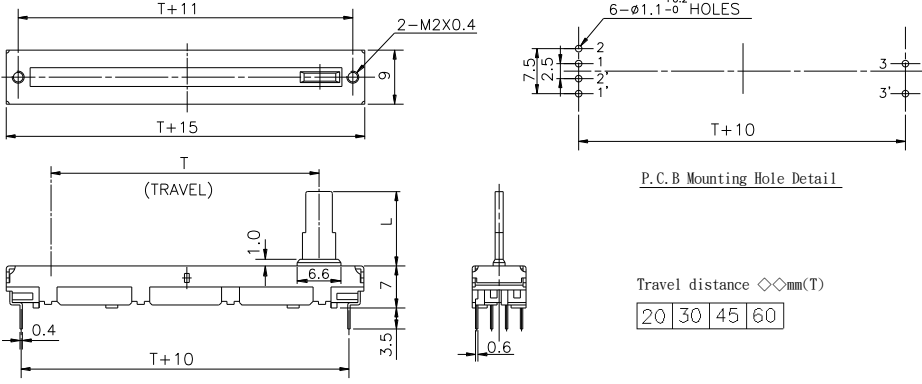
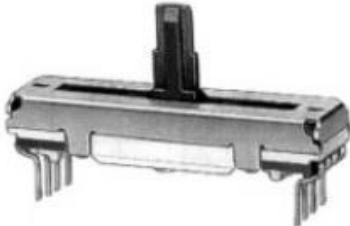
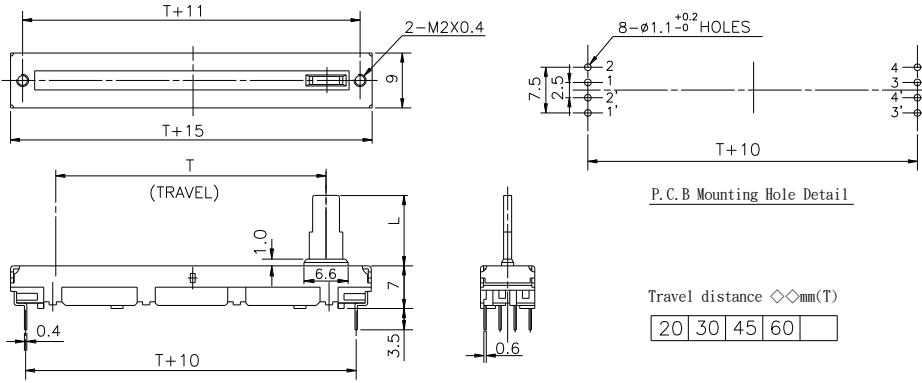
Model Description

Model	Number of Unit	Travel Distance	Type of Terminal	Tap	Mounting Height
RA2044F-201	Single units	20mm	PC board (vertical)	N/A	7mm
RA2044F-20	Dual units	20mm	PC board (vertical)	N/A	7mm
RA2044F-20T	Dual units	20mm	PC board (vertical)	With center tap	7mm
RA3044F-201	Single unit	30mm	PC board (vertical)	N/A	7mm
RA3044F-20	Dual units	30mm	PC board (vertical)	N/A	7mm
RA3044F-20T	Dual units	30mm	PC board (vertical)	With center tap	7mm
RA4544F-201	Single unit	45mm	PC board (vertical)	N/A	7mm
RA4544F-20	Dual units	45mm	PC board (vertical)	N/A	7mm
RA4544F-20T	Dual units	45mm	PC board (vertical)	With center tap	7mm
RA6044F-201	Single unit	60mm	PC board (vertical)	N/A	7mm
RA6044F-20	Dual units	60mm	PC board (vertical)	N/A	7mm
RA6044F-20T	Dual units	60mm	PC board (vertical)	With center tap	7mm

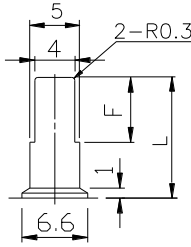
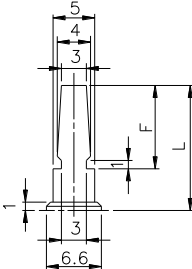
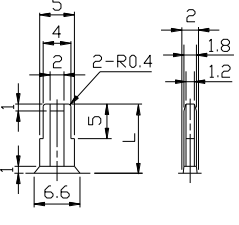
Order Code	Outline Drawing				
RA <input type="text"/> <input type="text"/> 44F-201 	 <p>Travel distance \diamondmm(T)</p> <table border="1"> <tr> <td>20</td> <td>30</td> <td>45</td> <td>60</td> </tr> </table>	20	30	45	60
20	30	45	60		

[Back to top](#)

Low-Profile Slide Series

Order Code	Outline Drawing
RA□□44F-20 	 <p>P.C.B Mounting Hole Detail</p> <p>Travel distance ◊◊mm(T) <input type="checkbox"/>20 <input type="checkbox"/>30 <input type="checkbox"/>45 <input type="checkbox"/>60</p>
RA□□44F-20T 	 <p>P.C.B Mounting Hole Detail</p> <p>Travel distance ◊◊mm(T) <input type="checkbox"/>20 <input type="checkbox"/>30 <input type="checkbox"/>45 <input type="checkbox"/>60</p>

■ Lever Type

Model	RA□□44F Series							
Lever Type	C1			D1			DA	
Dimension	Metal lever t=1.2 			Metal lever t=1.2 			Insulated lever 	
Length(L)	F	5	10	10	F	10	10	10
	L	10	15	20	L	15	20	

Design and specifications presented here are for the standard parts only. Please kindly contact us for your special requests and ask for the current technical specifications before purchase and/or use.

[Back to top](#)