

Low-Profile Slide Series

Application

- ✓ Audio, Home appliance, Lighting control, ect.

Feature

- ✓ Smooth slide feeling



■ Specification

Operating Temperature Range	-10 °C~70°C
Standard Resistance Tolerance	±20%
Insulation Resistance	100 MΩ Min. at 250V DC
Dielectric Strength	AC300V for 1 minute at 300V AC
Travel Distance	60mm
Operating Force	30~250 gf.cm
Sliding Life	15,000 cycles

■ How to order

RA6046F-20 – 15C1 - B10K - 01

Model

Lever Type

Taper and Resistance Value

Ex:

Order Code	Taper	Resistance Value
A100K	Log/A	100KΩ
B1M	Linear/B	1MΩ

Available Taper: A and B

Available Resistance Value: 1KΩ to 500KΩ and 1MΩ

*Contact us for other requirements.


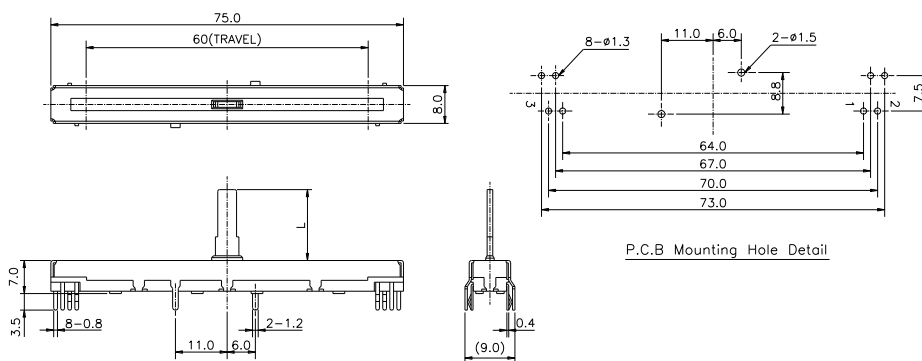

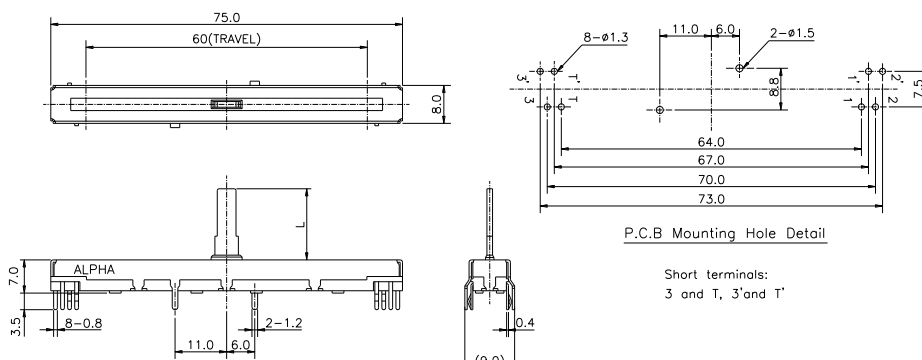
Dustcover

Order Code	Description
01	With dust cover
Blank	Without dust cover

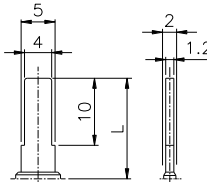
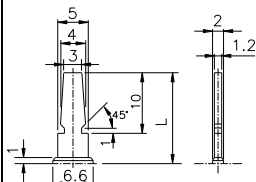
Low-Profile Slide Series

Model Description

Model	Number of Unit	Travel Distance	Type of Terminal	Tap	Mounting Height
RA6046F-201	Single unit	60mm	PC board (vertical)	N/A	7mm
RA6046F-20	Dual unit	60mm	PC board (vertical)	N/A	7mm

Order Code	Outline Drawing
	 <p>P.C.B Mounting Hole Detail</p>
	 <p>P.C.B Mounting Hole Detail</p> <p>Short terminals: 3 and T, 3' and T'</p>

Lever Type

Model	RA6046F Series						
Lever Type	C1				D1		
Dimension	Metal lever				Metal lever		
							
Length(L)	F	5	10	10	F	10	10
	L	10	15	20	L	15	20

Design and specifications presented here are for the standard parts only. Please kindly contact us for your special requests and ask for the current technical specifications before purchase and/or use.

[Back to top](#)