

## 16mm Single Shaft, Multi-Ganged Series

### Application

- ✓ Audio, Home appliance, Industrial, etc.

### Feature

- ✓ Steady structure with optional metal shaft.



### ■ Specification

Total Rotational Angle	270 ± 5°
Maximum Operating Voltage	150V AC
Insulation Resistance	100MΩ Min. at 500V DC
Dielectric Strength	500V AC, 1 minute
Rotational Torque	20 ~ 200 gf.cm
Rotational Stop Strength of the Shaft	6 kgf.cm
Rotational Life	15,000 cycles

### ■ How to order

RD1601F – 40 B4 – 20F – B50K

[Model](#)

#### Bushing Type

Code	Dimensions	
B4	∅7mm	8mm
F1	∅10mm	5mm
F4	∅10mm	8mm

[Shaft](#)

#### Taper and Resistance Value

Code	Taper	Resistance Value
A100K	Log/A	100KΩ
B1M	Linear/B	1MΩ

Taper: A, B


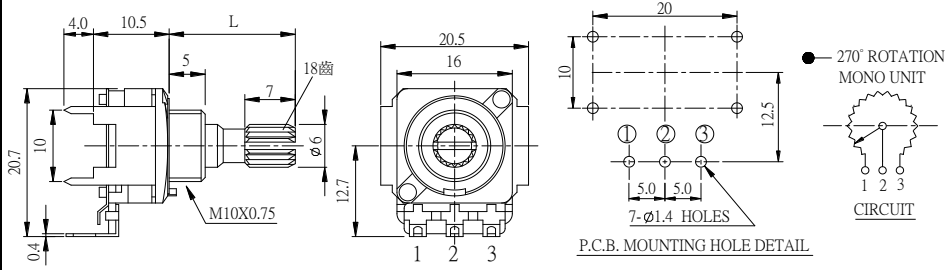
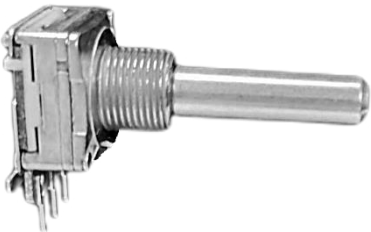
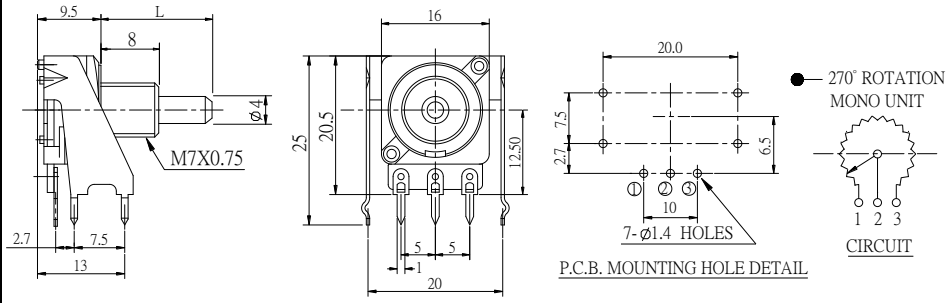
Resistance Value: 1KΩ to 500KΩ and 1MΩ

\*Contact us for other requirements.

## 16mm Single Shaft, Multi-Ganged Series

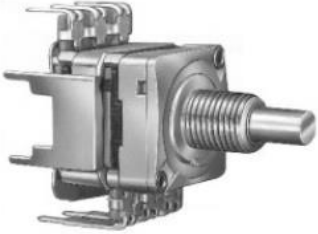
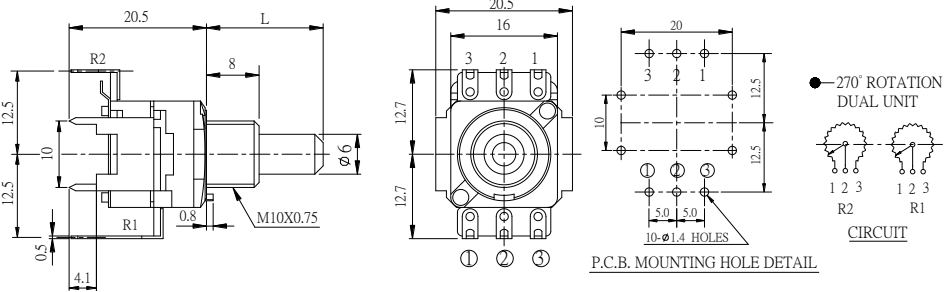
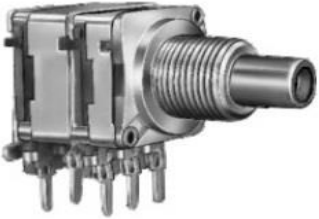
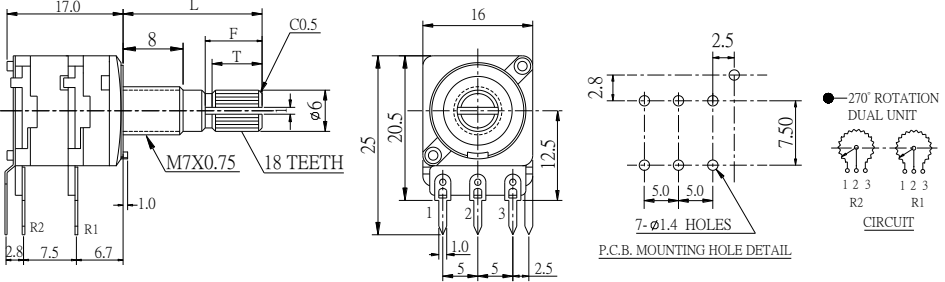

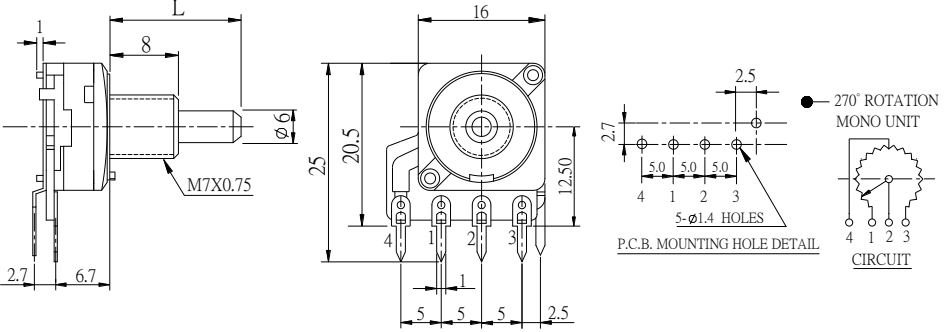
### Model Description

Model	Number of Unit	Push-Pull Switch	Terminal Type	With Sleeve or Bushing
<a href="#">RD1601F-40</a>	Single Unit	N/A	Vertical	Metal bushing
<a href="#">RD1601F-20</a>	Single Unit	N/A	Horizontal	Metal bushing
<a href="#">RD1602F-40</a>	Dual Unit	N/A	Vertical	Metal bushing
<a href="#">RD1602F-20</a>	Dual Unit	N/A	Horizontal	Metal bushing
<a href="#">RD1601LF-20</a>	Single Unit	N/A	Horizontal	Metal bushing

Order Code	Outline Drawing
RD1601F-40 	
RD1601F-20 	

[Back to top](#)

## 16mm Single Shaft, Multi-Ganged Series

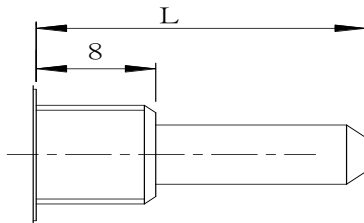
Order Code	Outline Drawing
<p>RD1602F-40</p> 	 <p>● 270° ROTATION DUAL UNIT</p> <p>CIRCUIT</p>
<p>RD1602F-20</p> 	 <p>● 270° ROTATION DUAL UNIT</p> <p>CIRCUIT</p>
<p>RD1601LF-20</p> 	 <p>● 270° ROTATION MONO UNIT</p> <p>CIRCUIT</p>

[Back to top](#)

## 16mm Single Shaft, Multi-Ganged Series

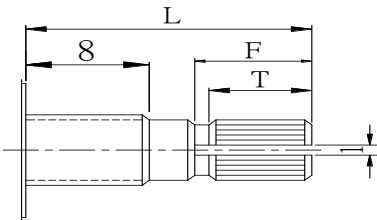
### ■ Shaft and Bushing Dimensions

#### R Type



L	20	25	30	35
---	----	----	----	----

#### K Type



L	20	25	30
F	7	10	12
T	6	8	10

Design and specifications presented here are for the standard parts only. Please kindly contact us for your special requests and ask for the current technical specifications before purchase and/or use.

[Back to top](#)