

## Low-Profile Slide Series

### Application

✓ Audio, Home appliance, Lighting control, etc.

### Feature

✓ Smooth slide feeling.



### ■Specification

Operating Temperature Range	-10 °C~70°C
Standard Resistance Tolerance	±20%
Insulation Resistance	100 MΩ Min. at 250V DC
Dielectric Strength	1 minute at 300V AC
Travel Distance	15mm, 30mm, 45mm, 60mm
Operating Force	30~250 gf.cm
Sliding Life	15,000 cycles

### ■How to order

RA1521F-20 – 15C1 - B10K – 01

Model

Lever Type

#### Taper and Resistance Value

Ex:

Order Code	Taper	Resistance Value
A100K	Audio/Log/A	100KΩ
B10K	Linear/B	10KΩ

Taper: A and B

Resistance Value: 1KΩ to 500KΩ and 1MΩ

\*Contact us for other requirements.

#### Click and Dust cover

Order Code	Description
01	With dust cover
Blank	Without center click and dust cover

## Low-Profile Slide Series

### ■ Model Description

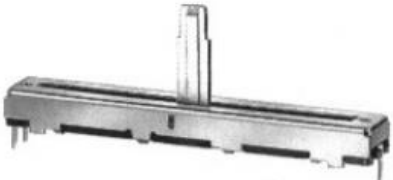
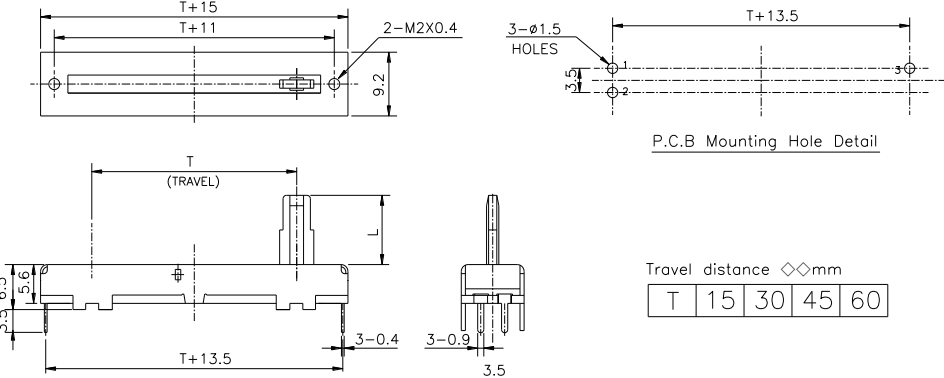
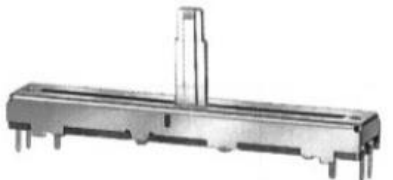
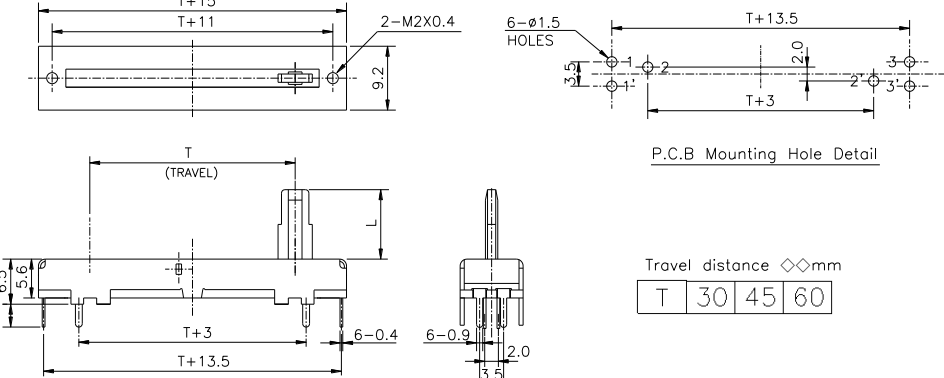
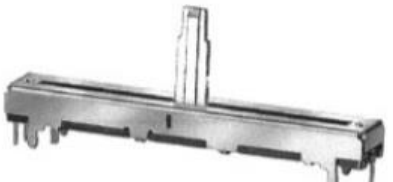
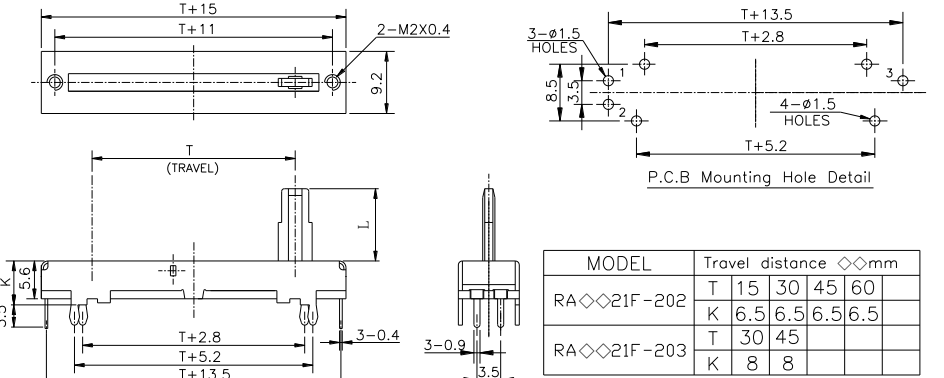

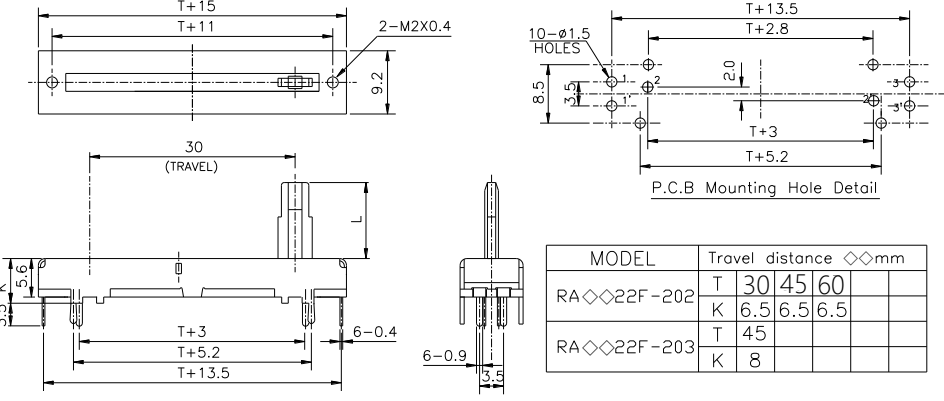
Model	Number of Unit	Travel Distance	Type of Terminal	Tap	Mounting Height
<a href="#">RA1521F-20</a>	Single Unit	15mm	PC board (vertical)	N/A	6.5mm
<a href="#">RA3021F-20</a>	Single Unit	30mm	PC board (vertical)	N/A	6.5mm
<a href="#">RA4521F-20</a>	Single Unit	45mm	PC board (vertical)	N/A	6.5mm
<a href="#">RA6021F-20</a>	Single Unit	60mm	PC board (vertical)	N/A	6.5mm
<a href="#">RA3022F-20</a>	Dual Unit	30mm	PC board (vertical)	N/A	6.5mm
<a href="#">RA4522F-20</a>	Dual Unit	45mm	PC board (vertical)	N/A	6.5mm
<a href="#">RA6022F-20</a>	Dual Unit	60mm	PC board (vertical)	N/A	6.5mm
<a href="#">RA1521F-202</a>	Single Unit	15mm	PC board (vertical)	N/A	6.5mm
<a href="#">RA3021F-202</a>	Single Unit	30mm	PC board (vertical)	N/A	6.5mm
<a href="#">RA4521F-202</a>	Single Unit	45mm	PC board (vertical)	N/A	6.5mm
<a href="#">RA6021F-202</a>	Single Unit	60mm	PC board (vertical)	N/A	6.5mm
<a href="#">RA3021F-203</a>	Single Unit	30mm	PC board (vertical)	N/A	8mm
<a href="#">RA4521F-203</a>	Single Unit	45mm	PC board (vertical)	N/A	8mm
<a href="#">RA3022F-202</a>	Dual Unit	30mm	PC board (vertical)	N/A	6.5mm
<a href="#">RA4522F-202</a>	Dual Unit	45mm	PC board (vertical)	N/A	6.5mm
<a href="#">RA4522F-203</a>	Dual Unit	45mm	PC board (vertical)	N/A	8mm

[Back to top](#)

# POTENTIOMETERS



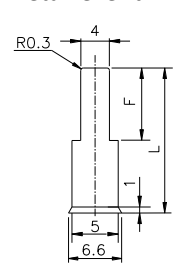
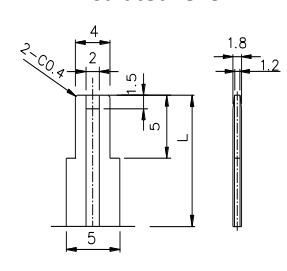
## Low-Profile Slide Series

Order Code	Outline Drawing																														
RA□□21F-20 	 <p>P.C.B Mounting Hole Detail</p> <p>Travel distance ◇◇mm</p> <table border="1" data-bbox="1209 600 1453 636"> <tr> <td>T</td> <td>15</td> <td>30</td> <td>45</td> <td>60</td> </tr> </table>	T	15	30	45	60																									
T	15	30	45	60																											
RA□□22F-20 	 <p>P.C.B Mounting Hole Detail</p> <p>Travel distance ◇◇mm</p> <table border="1" data-bbox="1209 1025 1394 1061"> <tr> <td>T</td> <td>30</td> <td>45</td> <td>60</td> </tr> </table>	T	30	45	60																										
T	30	45	60																												
RA□□21F-202 RA□□21F-203 	 <p>P.C.B Mounting Hole Detail</p> <table border="1" data-bbox="1106 1429 1485 1556"> <thead> <tr> <th>MODEL</th> <th colspan="5">Travel distance ◇◇mm</th> </tr> </thead> <tbody> <tr> <td>RA◇◇21F-202</td> <td>T</td> <td>15</td> <td>30</td> <td>45</td> <td>60</td> </tr> <tr> <td></td> <td>K</td> <td>6.5</td> <td>6.5</td> <td>6.5</td> <td>6.5</td> </tr> <tr> <td>RA◇◇21F-203</td> <td>T</td> <td>30</td> <td>45</td> <td></td> <td></td> </tr> <tr> <td></td> <td>K</td> <td>8</td> <td>8</td> <td></td> <td></td> </tr> </tbody> </table>	MODEL	Travel distance ◇◇mm					RA◇◇21F-202	T	15	30	45	60		K	6.5	6.5	6.5	6.5	RA◇◇21F-203	T	30	45				K	8	8		
MODEL	Travel distance ◇◇mm																														
RA◇◇21F-202	T	15	30	45	60																										
	K	6.5	6.5	6.5	6.5																										
RA◇◇21F-203	T	30	45																												
	K	8	8																												
RA□□22F-202 RA□□22F-203 	 <p>P.C.B Mounting Hole Detail</p> <table border="1" data-bbox="1106 1854 1485 1982"> <thead> <tr> <th>MODEL</th> <th colspan="5">Travel distance ◇◇mm</th> </tr> </thead> <tbody> <tr> <td>RA◇◇22F-202</td> <td>T</td> <td>30</td> <td>45</td> <td>60</td> <td></td> </tr> <tr> <td></td> <td>K</td> <td>6.5</td> <td>6.5</td> <td>6.5</td> <td></td> </tr> <tr> <td>RA◇◇22F-203</td> <td>T</td> <td>45</td> <td></td> <td></td> <td></td> </tr> <tr> <td></td> <td>K</td> <td>8</td> <td></td> <td></td> <td></td> </tr> </tbody> </table>	MODEL	Travel distance ◇◇mm					RA◇◇22F-202	T	30	45	60			K	6.5	6.5	6.5		RA◇◇22F-203	T	45					K	8			
MODEL	Travel distance ◇◇mm																														
RA◇◇22F-202	T	30	45	60																											
	K	6.5	6.5	6.5																											
RA◇◇22F-203	T	45																													
	K	8																													

[Back to top](#)

## Low-Profile Slide Series

### ■ Lever Type

Model	RA□□21F and RA□□22F				
Lever Type	C1			DA	
Dimension	Metal lever t=1.2 			Insulated lever 	
Length(L)	F	3	7	10	10
	L	8	10	15	

Design and specifications presented here are for the standard parts only. Please kindly contact us for your special requests and ask for the current technical specifications before purchase and/or use.

[Back to top](#)