

Normal Slide Type

Application

- ✓ Audio, Home appliance, Lighting control, etc.

Feature

- ✓ Smooth slide feeling



■Specification

Travel Distance	45mm , 60mm
Insulation Resistance	100 MΩ Min. at 500V DC
Dielectric Strength	500V AC , 1 minute
Operating Force	50~350 gf.cm
Operating Temperature Range	-10 °C~70°C
Sliding Life	15,000 cycles

■How to order

RA4530F-10 – 20A1- B10K

Model

Lever Type

Taper and Resistance Value

Ex:

Order Code	Taper	Resistance Value
A100K	Log/A	100KΩ
B1M	Linear/B	1MΩ

Taper: A and B


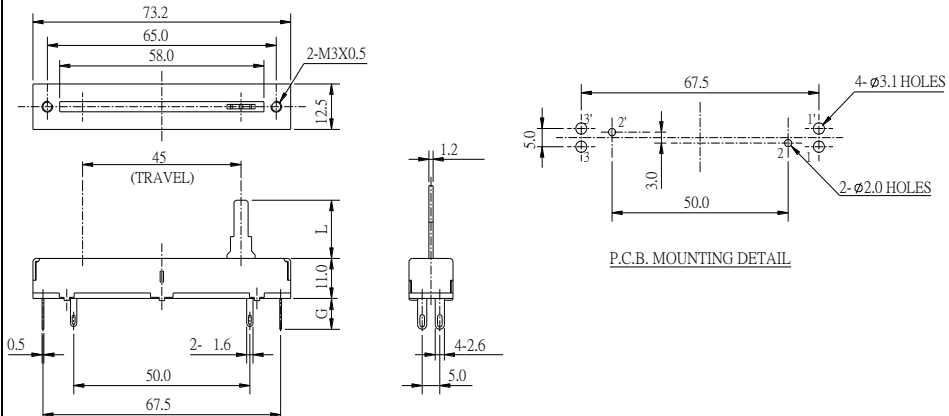

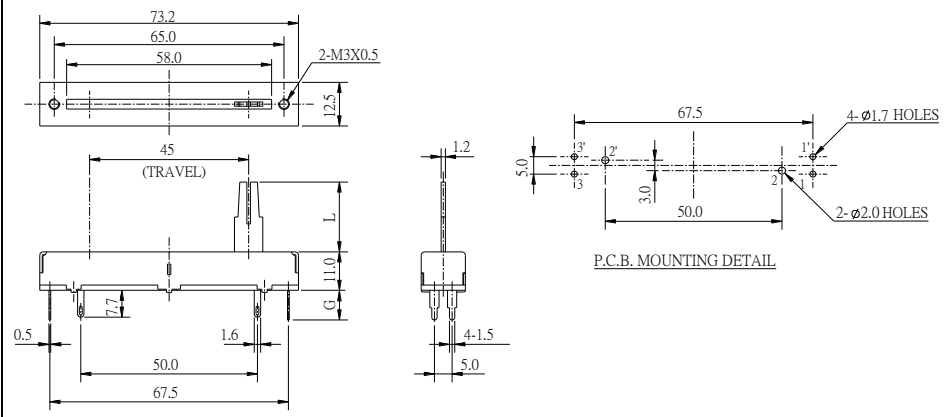
Resistance Value: 1KΩ to 500KΩ and 1MΩ

*Contact us for other requirements.

Normal Slide Type


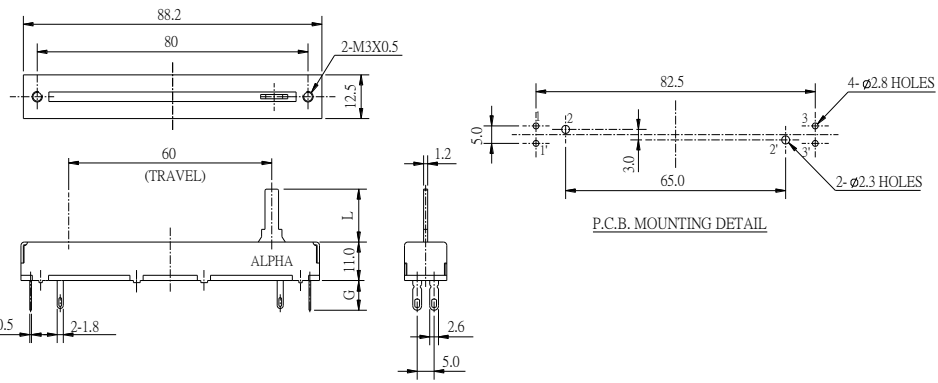

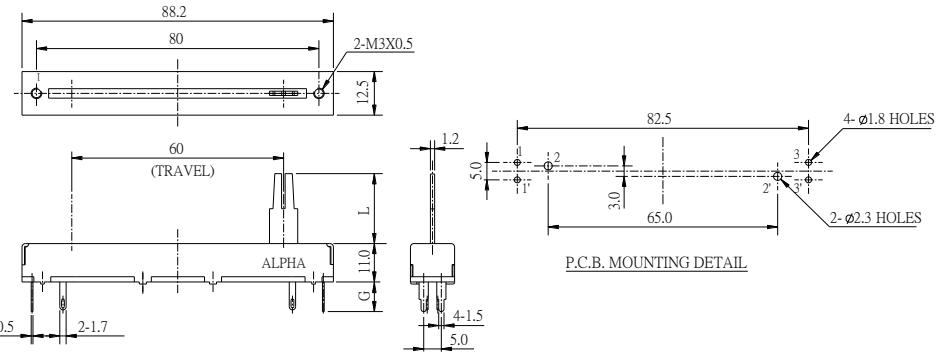
Model Description

Model	Number of unit	Travel Distance	Type of Terminal
RA4530F-10	Dual Units	45mm	Solder Lug
RA4530F-20	Dual Units	45mm	PC board (vertical)
RA4530F-21	Dual Units	45mm	PC board (vertical)
RA6030F-10	Dual Units	60mm	Solder Lug
RA6030F-20	Dual Units	60mm	PC board (vertical)
RA6030F-21	Dual Units	60mm	PC board (vertical)

Order Code	Outline Drawing
<p>RA4530F-10</p> 	
<p>RA4530F-20 RA4530F-21</p> 	

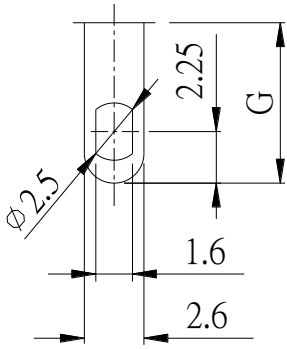
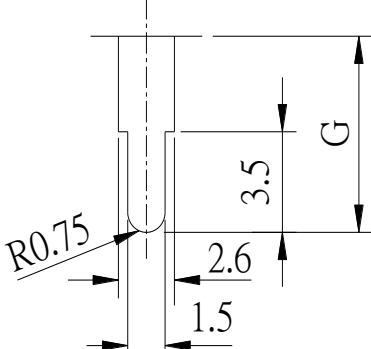
[Back to top](#)

Normal Slide Type

<p>RA6030F-10</p> 	
<p>RA6030F-20 RA6030F-21</p> 	

For dimension of G, please refer to the below chart "[Type of Terminal](#)".

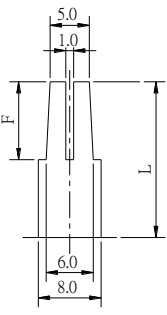
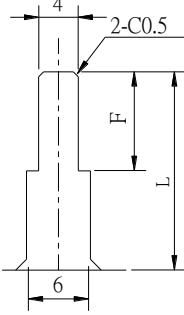
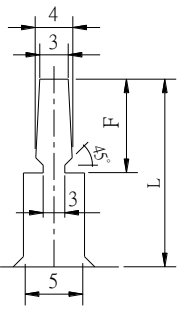
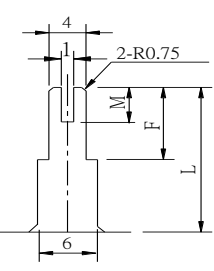
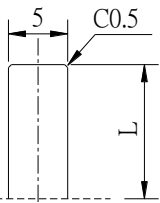
■Type of Terminal

Type	Solder Lug Type		PC Board Type	
	10		20	21
Length (G)	7.5		8.5	7
Dimensions				

[Back to top](#)

Normal Slide Type

■ Lever Type

Model	RA□□30F Series									
Lever Type	Metal Lever t1.2									
	A1		C2		D1		F2		B2	
Dimensions										
Length(L)	F	10	10	10	10	M	7	11		
	L	20	10	16	21	F	10			
	L					L	15			

Design and specifications presented here are for the standard parts only. Please kindly contact us for your special requests and ask for the current technical specifications before purchase and/or use.

[Back to top](#)