

## Application

- ✓ TV/Video, Audio, Home appliance, Precision apparatus, Automotive, Office equipment, Communication, Musical instruments, Industrial control



## Feature

- ✓ Low profile slide switches available for various fields.

## ■Specification

Operating Temperature Range	-10 °C~70°C
Standard Contact Resistance	25mΩ max.
Operating Life Cycle	10,000 cycles

## ■How to order

SV70050F - 0202 - 6T - N

Model


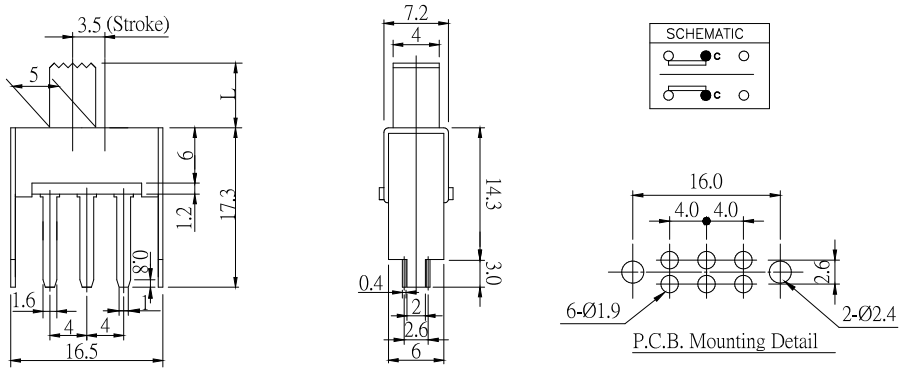
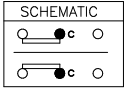

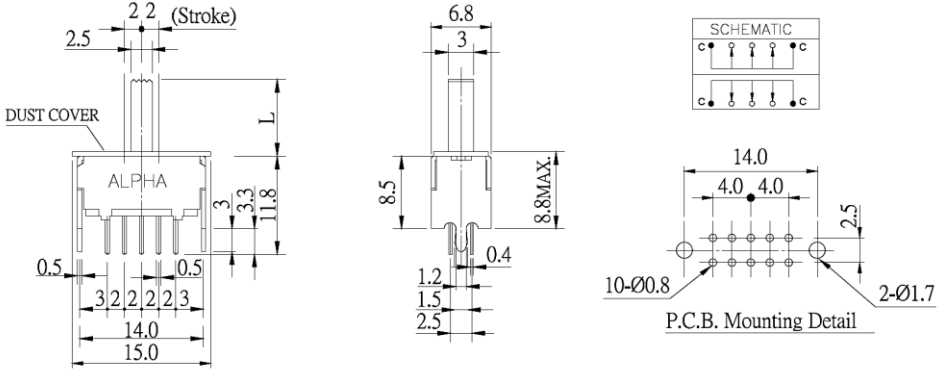
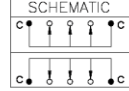
Number of Pole & Position  
Ex. 0202 – 2 poles 2 positions

Lever Type

Timing	
Order Code	Description
N	Non-shorting (break-before-make)
F	Free (Undefined)

## Model Description

Model	Lever Length	Operating Direction	Rating	Timing
<a href="#">SS70020F-0202</a>	4, 5, 6, 7.5, 10, 12, 14	Vertical	AC125V 0.3A	Non-shorting
<a href="#">SS71020F-0203</a>	6, 9	Vertical	AC125V 0.3A	Non-shorting
<a href="#">SV65020F-0203</a>	6	Horizontal	AC125V 0.3A	Free
<a href="#">SV69010F-0202</a>	4, 6	Horizontal	AC125V 0.3A	Non-shorting
<a href="#">SV70050F-0202</a>	6, 10, 20	Horizontal	AC125V 0.3A	Non-shorting
<a href="#">SV71010F-0202</a>	6	Horizontal	DC30V 0.1A	Non-shorting

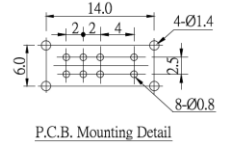
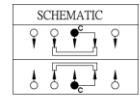
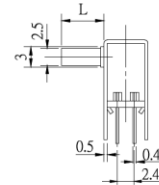
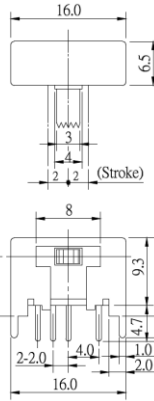
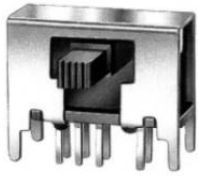
Order Code	Outline Drawing
SS70020F-0202-□T-021 	 <p>Dimensions: 3.5 (Stroke), 5, 1.6, 4, 4, 16.5, 1.2, 6, 17.3, 7.2, 4, 14.3, 0.4, 2, 2.6, 6, 3.0, 16.0, 4.0, 4.0, 2.6, 6-Ø1.9, 2-Ø2.4</p> <p>SCHEMATIC: </p> <p>P.C.B. Mounting Detail</p>
SS71020F-0203-□T-025 	 <p>Dimensions: 2.5, 2.2 (Stroke), 0.5, 3, 2, 2, 2, 3, 14.0, 15.0, 11.8, 3.3, 6.8, 3, 8.5, 8.8MAX., 0.4, 1.2, 1.5, 2.5, 14.0, 4.0, 4.0, 2.5, 10-Ø0.8, 2-Ø1.7</p> <p>SCHEMATIC: </p> <p>P.C.B. Mounting Detail</p>

[Back to top](#)

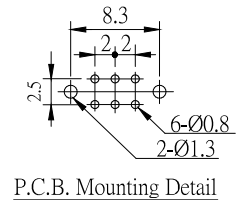
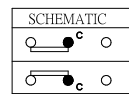
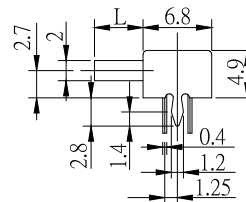
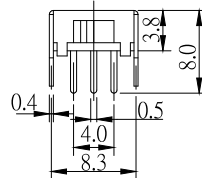
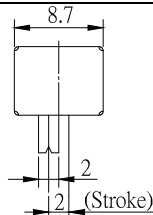
# SLIDE SWITCH



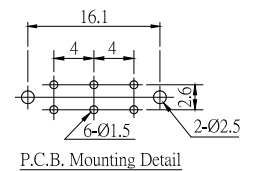
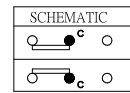
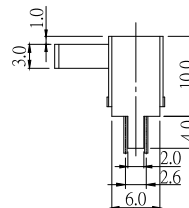
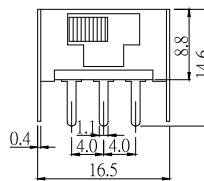
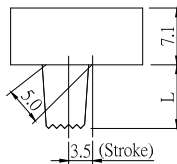
SV65020F-0203-□H-01



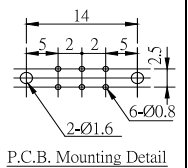
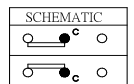
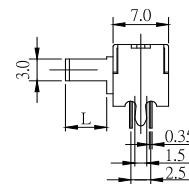
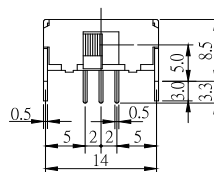
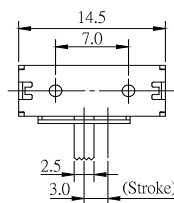
SV69010F-0202-□V



SV70050F-0202-□T



SV71010F-0202-□T



Design and specifications presented here are for the standard parts only. Please kindly contact us for your special requests and ask for the current technical specifications before purchase and/or use.

[Back to top](#)