

16mm Rotary Type with Switch of High Rating

Application

- ✓ TV/Video, Audio, Home appliance, Lighting control

Feature

- ✓ VDE certification



■Specification

Total Rotational Angle	270±5°
Maximum Operating Voltage	250V AC
Insulation Resistance	100MΩ at DC500V
Dielectric Strength	AC 3000V for 1 minute
Rotational Torque	20-150 gf.cm
Click Torque	20-150 gf.cm
Rotational Stop Strength of the Shaft	5 kgf.cm min
Push/Pull Strength of the Shaft	8 kgf.cm for 10 sec
Rotation Life	25,000 cycles
Switch Stroke	3.4±0.2 mm
Switch Operation Force	1.5±0.5 kg-cm
Switch Life	25,000 cycles

■How to order

RV16KS – 4RF4 – 19R4 – OB500K – OP

[Model](#)

[Metal Shaft Type](#)

Click

Order Code	Taper
OP	37 Positions click
Blank	Without click

Taper and Resistance Value

Order Code	Taper	Resistance Value
A100K	Log/A	100KΩ
OB500K	Linear/B	1MΩ

Taper: A, OB


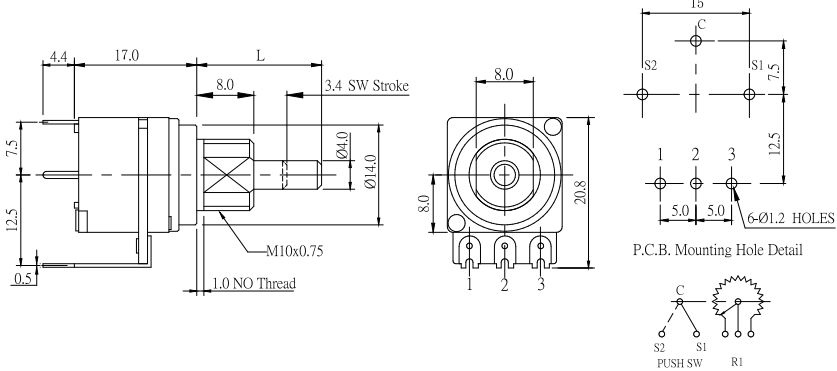

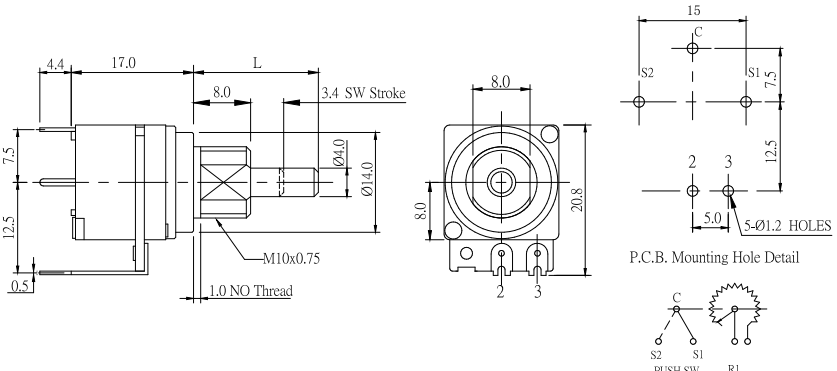
Resistance Value: 1KΩ to 500KΩ and 1MΩ

*Contact us for other requirements.

16mm Rotary Type with Switch of High Rating


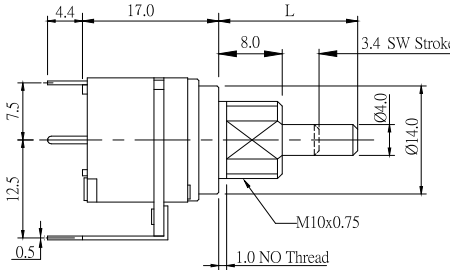
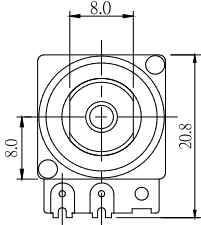
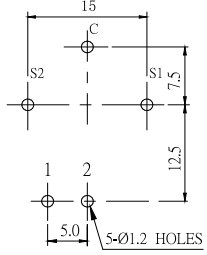
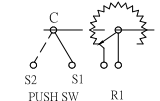

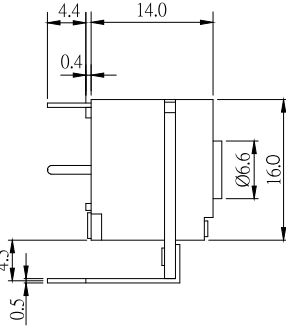
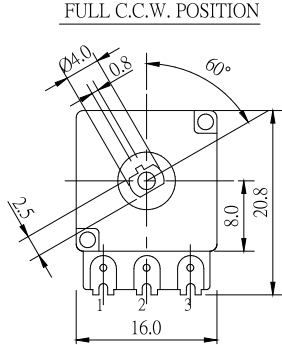
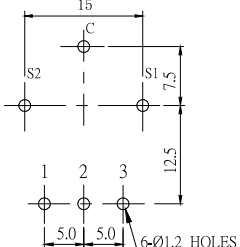
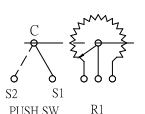

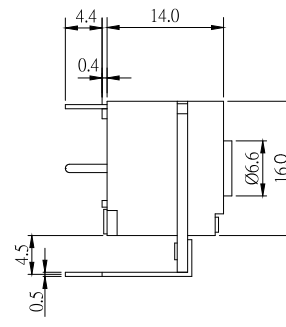
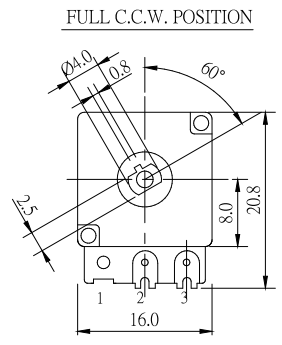
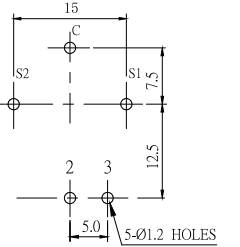
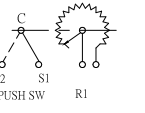

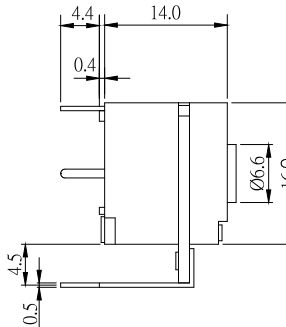
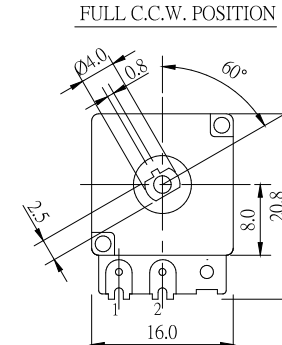
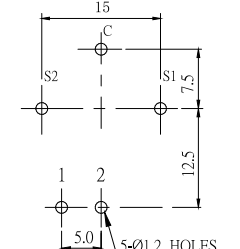
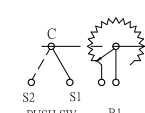
■ Model Description

Model	Number of Unit	Switch Function	Terminal Type	Have Bushing and Shaft	Rotational Angle
RV16KS-40F4	Single unit	S.P.D.T Push SW	Vertical	With	270°±5°
RV16KS-4RF4	Single unit	S.P.D.T Push SW	Vertical	With	270°±5°
RV16KS-4LF4	Single unit	S.P.D.T Push SW	Vertical	With	270°±5°
RV16KS-40-00	Single unit without shaft	S.P.D.T Push SW	Vertical	N/A	270°±5°
RV16KS-4R-00	Single unit without shaft	S.P.D.T Push SW	Vertical	N/A	270°±5°
RV16KS-4L-00	Single unit without shaft	S.P.D.T Push SW	Vertical	N/A	270°±5°
RV16KS-10-3T	Only switch	S.P.D.T Push SW	Solder lug	N/A	N/A
RV16KS-40-3T	Only switch	S.P.D.T Push SW	Vertical	N/A	N/A

Order Code	Outline Drawing
RV16KS-40F4 	
RV16KS-4RF4 	


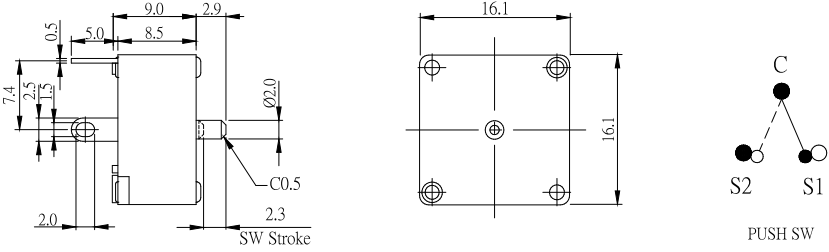

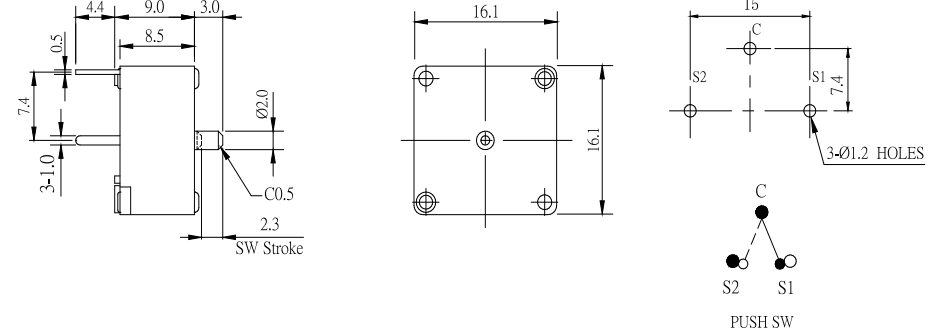
[Back to top](#)

16mm Rotary Type with Switch of High Rating

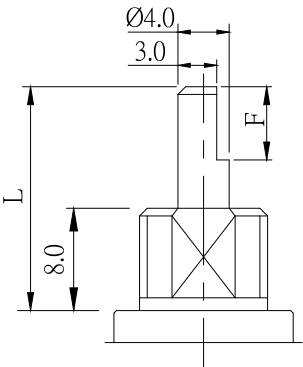
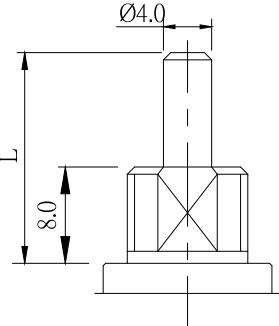
Order Code	Outline Drawing	
<p>RV16KS-4LF4</p> 		  
<p>RV16KS-40-00</p> 	 	 
<p>RV16KS-4R-00</p> 	 	 
<p>RV16KS-4L-00</p> 	 	 

[Back to top](#)

16mm Rotary Type with Switch of High Rating

Order Code	Outline Drawing
<p>RV16KS-10-3T</p> 	
<p>RV16KS-40-3T</p> 	

■ Metal Shaft Type

RV16KS-40F4, RV16KS-4RF4, RV16KS-4LF4															
F6 Type	A : 8mm	R4 Type	A : 8mm												
	<table border="1" data-bbox="459 1464 778 1563"> <thead> <tr> <th>Order Code</th> <th>L</th> <th>F</th> </tr> </thead> <tbody> <tr> <td>175F6</td> <td>17.5</td> <td>6.0</td> </tr> </tbody> </table>	Order Code	L	F	175F6	17.5	6.0		<table border="1" data-bbox="1214 1464 1465 1615"> <thead> <tr> <th>Order Code</th> <th>L</th> </tr> </thead> <tbody> <tr> <td>18R4</td> <td>18</td> </tr> <tr> <td>19R4</td> <td>19</td> </tr> </tbody> </table>	Order Code	L	18R4	18	19R4	19
Order Code	L	F													
175F6	17.5	6.0													
Order Code	L														
18R4	18														
19R4	19														

Design and specifications presented here are for the standard parts only. Please kindly contact us for your special requests and ask for the current technical specifications before purchase and/or use.

[Back to top](#)