

SR10030F Series

Application

- ✓ TV/Video, Audio, Home appliance, Precision apparatus,
Automotive, Musical instruments, Industrial control, Others

Feature

- ✓ 360° endless pulse switch for volume adjustment, function selection,
and so on.



■Specification

Rating	16V DC 0.1A
Contact Resistance	50 mΩ Max.
Rotational Torque	300 ± 150 gf.cm
Operating Life Cycle (Without Load)	30,000 cycles

■How to order

SR10030F – 15K – C7

[Model](#)

[Shaft Type](#)


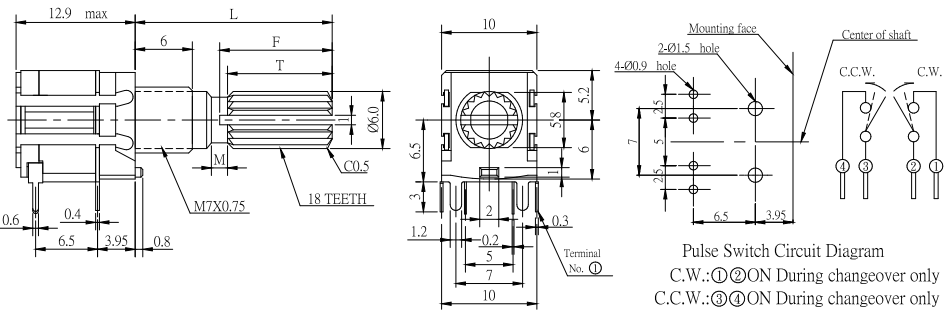
Bushing Type:

Order Code	Bushing Length	Bushing Diameter
C7	6mm	M7*0.75

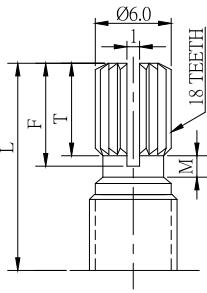
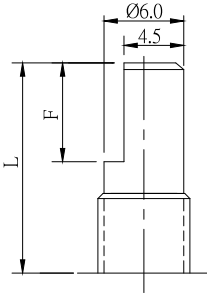
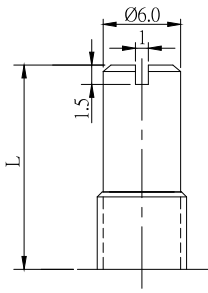
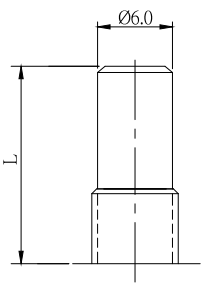
SR10030F Series

Model Description

Model	Terminal Type	No. of Click	Total Rotation Angle	Changeover Angle
SR10030F	PCB	20	360° (Endless)	18°

Order Code	Outline Drawing
SR10030F-LK-C7	  <p>Pulse Switch Circuit Diagram C.W.: ①② ON During changeover only C.C.W.: ③④ ON During changeover only</p>

Shaft Type

Order Code	(L)K	(L)F	(L)S	(L)R
Shaft Type	18 Teeth knurled	Flat shaft	Slotted shaft	Round shaft
Dimensions				
Standard Shaft Length (L)	15, 20, 25, 30			

Design and specifications presented here are for the standard parts only. Please kindly contact us for your special requests and ask for the current technical specifications before purchase and/or use.

[Back to top](#)