

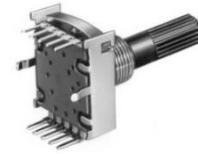
## SR1712F series

### Application

- ✓ TV/Video, Audio, Home appliance, Precision apparatus,  
Automotive, Musical instruments, Industrial control, Others

### Feature

- ✓ Up to 9 positions general use switch with insulated shafts.



### ■Specification

Rating	16V DC 0.3A
Withstand Voltage	100V AC - 1 minute
Contact Resistance	50 mΩ Max.
Insulation Resistance	100V DC - 100MΩ Min.
Rotational Torque	200 ± 100 gf.cm
Operating Life Cycle	10,000 cycles

### ■How to order

SR1712F – 0109 – 15K0A – N9 – N

[Model](#)

Number of Pole & Position  
Ex. 0102 – 1 pole 2 positions  
0204 – 2 poles 4 positions

[Shaft Type](#)

#### Timing

Order Code	Description
N	Non-Shorting (break-before-make)


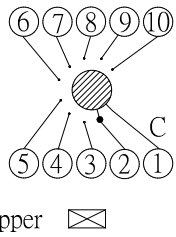
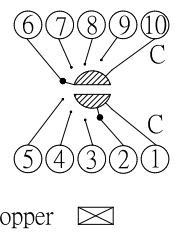
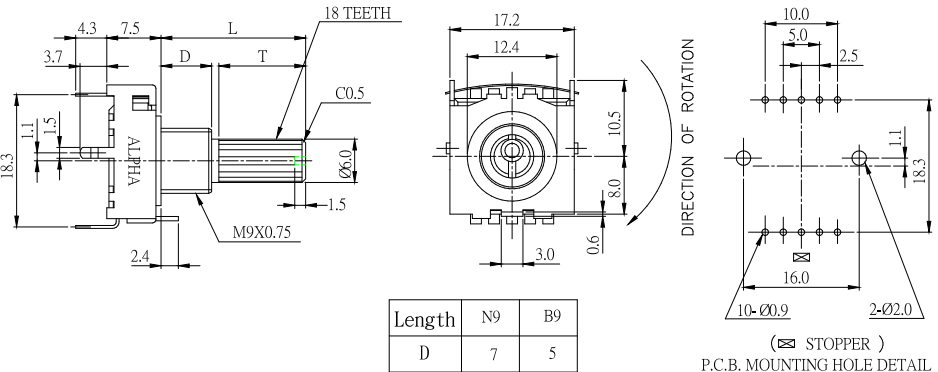
#### Bushing Type:

Order Code	Bushing Length	Bushing Diameter
N9	7mm	M9*0.75
B9	5mm	M9*0.75

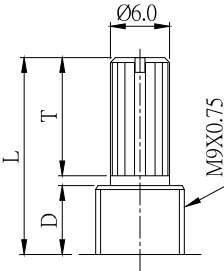
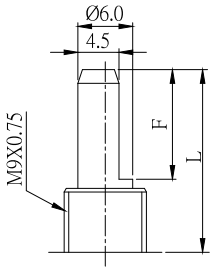
## SR1712F series

### Model Description

Model	Terminal Type	Pole	Position	Changeover Angle	Timing
SR1712F	PCB	1	2~9	30°	Non-shorting
		2	2~4		

Order Code	Outline Drawing		
SR1712F-□□-(L)K0A-N9-N SR1712F-□□-(L)K0A-B9-N	Numbers of poles	1	2
	Circuit diagram		
			

### Shaft Type

Order Code	(L)K0A	(L)FOA
Shaft Type	18 Teeth knurled	Flat shaft
Dimension		
Standard Shaft Length (L)	15	15, 20, 25

Design and specifications presented here are for the standard parts only. Please kindly contact us for your special requests and ask for the current technical specifications before purchase and/or use.

[Back to top](#)