

SR2411

Application

- ✓ Home appliance, Musical instruments, Industrial control, Others

Feature

- ✓ 5 positions general use rotary switch
- ✓ UL certification



■Specification

Rating	125V AC 5A , 250V AC 2.5A , 125V DC 0.5A
Withstand Voltage	1000V AC (50-60Hz, 2mA) - 1 minute
Contact Resistance	30 mΩ Max.
Insulation Resistance	1000V DC - 1000MΩ Min.
Rotational Torque	650 ± 100 gf.cm
Operating Life Cycle	10,000 cycles

■How to order

SR2411 - 0205 - 19FOB - C8 - N

[Model](#)

Number of Pole & Position
Ex. 0205 – 2 poles 5 positions

Shaft Type

Timing

Order Code	Description
N	Non-shorting (break-before-make)

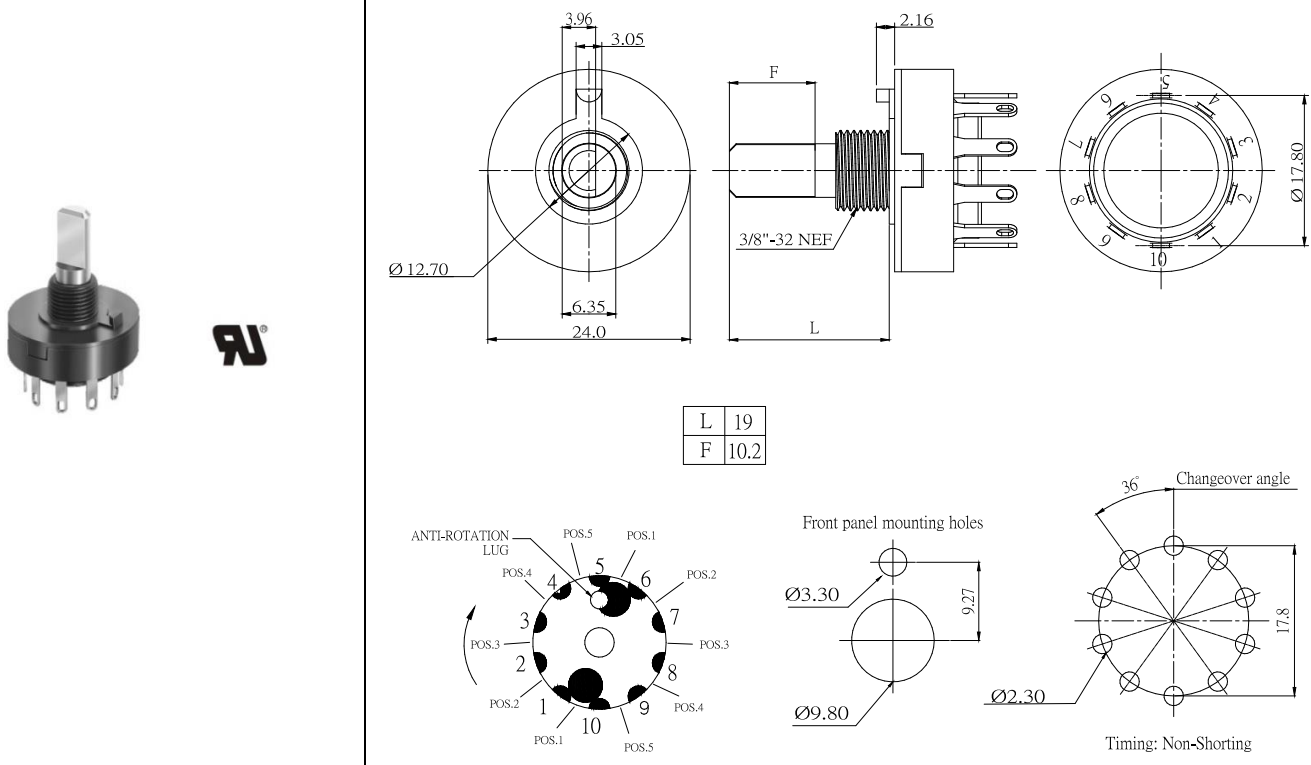
Bushing Type

Order Code	Bushing Length	Bushing Diameter
C8	6.35mm	3/8"-32NEF

SR2411

Model Description

Model	Terminal Type	Pole	Position	Changeover Angle	Timing
SR2411	Soldering	2	5	36°	Non-Shorting

Order Code	Outline Drawing				
SR2411-0205-19F0B-C8-N-004	 <table border="1" data-bbox="869 1097 949 1153"> <tr> <td>L</td> <td>19</td> </tr> <tr> <td>F</td> <td>10.2</td> </tr> </table>	L	19	F	10.2
L	19				
F	10.2				

Design and specifications presented here are for the standard parts only. Please kindly contact us for your special requests and ask for the current technical specifications before purchase and/or use.

[Back to top](#)