

ROTARY SWITCH



SR30 Series

Application

- ✓ TV/Video, Audio, Home appliance, Precision apparatus, Automotive, Musical instruments, Industrial control, Others

Feature

- ✓ Up to 16 positions general use switch with optional metal shafts.



■Specification

Rating	125V AC 0.3A
Withstand Voltage	500V AC - 1 minute
Contact Resistance	50 mΩ Max.
Insulation Resistance	500V DC - 100MΩ Min.
Rotational Torque	1.0 ± 0.5 kgf.cm
Operating Life Cycle	10,000 cycles

■How to order

SR3012F – 0116 – 15K0A – C9 – S

[Model](#)

Number of Pole & Position
Ex. 0116 – 1 pole 16 positions

[Shaft Type](#)


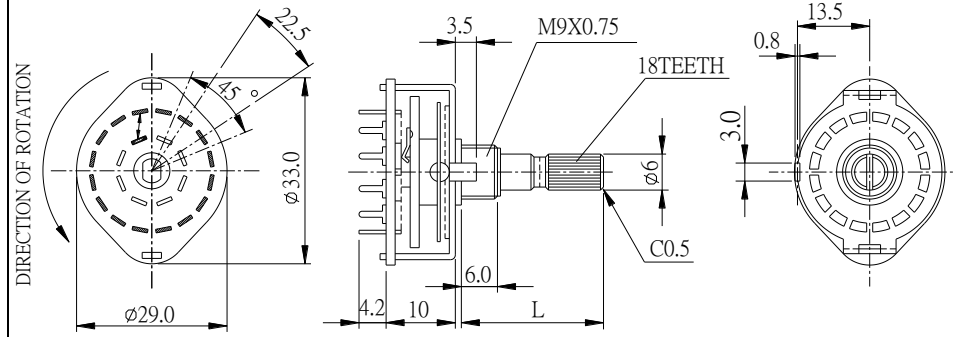

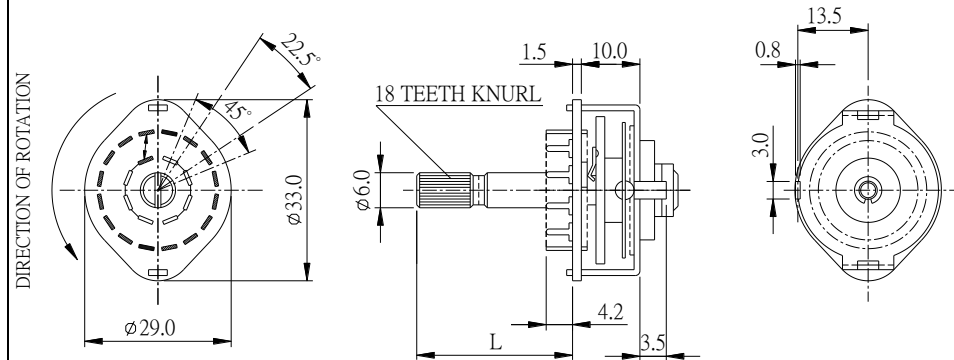
Timing	
Order Code	Description
S	Shorting (make-before-break)
N	Non-Shorting (break-before-make)

Bushing Type		
Order Code	Bushing Length	Bushing Diameter
C9	6mm	M9*0.75
C8	6mm	3/8"-32NEF

SR30 Series

Model Description

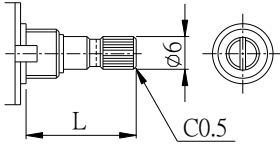
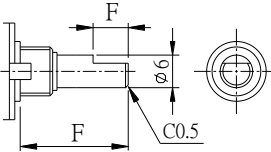
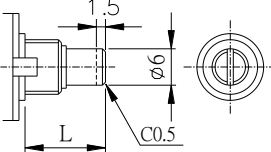
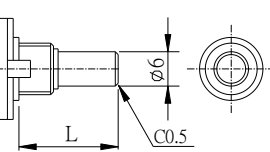
Model	Terminal Type	Pole	Position	Changeover Angle	Timing
SR3012F	PCB	1	16	22.5°	Shorting/ Non-Shorting
		2	8		
SR3013F	PCB upward	2	8		

Order Code	Outline Drawing
SR3012F-□□-(L)K0A-C9-S	 
SR3013F-□□-(L)K0A-T-S	 

[Back to top](#)

SR30 Series

■ Shaft Type

Order Code	(L)KOA	(L)FOA	(L)SOA	(L)ROA
Shaft Type	18 Teeth knurled	Flat shaft	Slotted shaft	Round shaft
Dimensions				
Standard Shaft Length (L)	15, 20, 25, 30			

Design and specifications presented here are for the standard parts only. Please kindly contact us for your special requests and ask for the current technical specifications before purchase and/or use.

[Back to top](#)