

Membrane Pressure Sensor




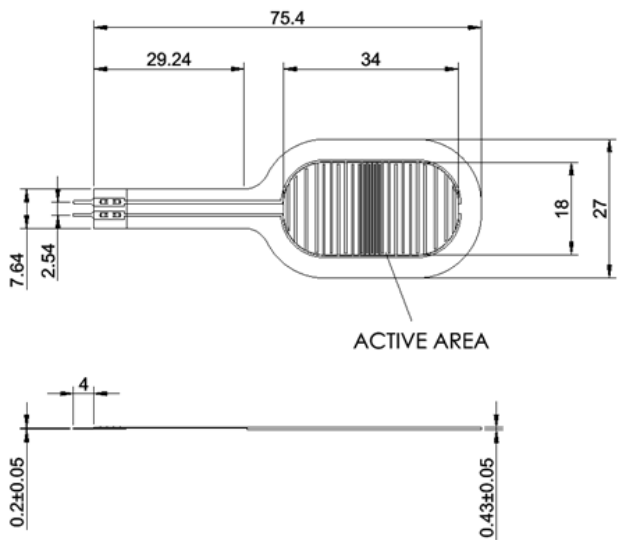
35*19mm Active Area

Application

✓ Fitness, sport, wearable and many applications.

Feature

✓ Ultra-thin, flexible and sealed properties; improved resolution under high-pressure.



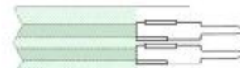

Order Code	Outline Drawing
MF01-N-221-A09 	

*Sensor loaded through an actuator more than or equal to active area.

SPECIFICATION

MODEL	MF01-N-221-A09
PRESSURE SENSITIVITY RANGE	3 ~ 45 kg (29~450N)
ACTIVE AREA	35mm*19mm
FORCE REPEATABILITY (SINGLE PART)	±5%
FORCE REPEATABILITY (PART TO PART)	±20%
FORCE RESOLUTION	Continuous(Analog)
STAND-OFF RESISTANCE (UNLOADED)	>20MΩ
RESPONSE TIME	<1ms
OPERATING TEMPERATURE	-20°C to +70°C
LIFE CYCLE (WITHOUT FAILURE)	>1 Million

CONNECTOR OPTIONS

Bare Tail 	Female Contacts 	Solder Tabs (pin) 	Female Contact with Housing 
--	--	---	--

Design and specifications presented here are for the standard parts only. Please kindly contact us for your

TAIWAN ALPHA ELECTRONIC CO., LTD.

Contact: sales@taiwanalpha.com

Membrane Pressure Sensor



*35*19mm Active Area*

special requests and ask for the current technical specifications before purchase and/or use.