

SR25 Sealed Series

Application

- ✓ TV/Video, Audio, Home appliance, Precision apparatus, Automotive, Musical instruments, Industrial control, Others

Feature

- ✓ Up to 12 general-use switch positions with optional metal shafts.
- ✓ Sealed series with better dustproof effect.



■Specification

Rating	125V AC 0.3A
Withstand Voltage	500V AC - 1 minute
Contact Resistance	50 mΩ Max.
Insulation Resistance	500V DC - 100MΩ Min.
Rotational Torque	1.0 ± 0.5 kgf.cm
Operating Life Cycle (Without Load)	10,000 cycles

■How to order

SR2512MF – 0206 – 15R0A – C9 – S

[Model](#)

Number of Pole & Position
Ex. 0102 – 1 pole 2 positions
0402 – 4 poles 2 positions

[Shaft Type](#)

Timing

Order Code	Description
S	Shorting (make-before-break)
N	Non-Shorting (break-before-make)


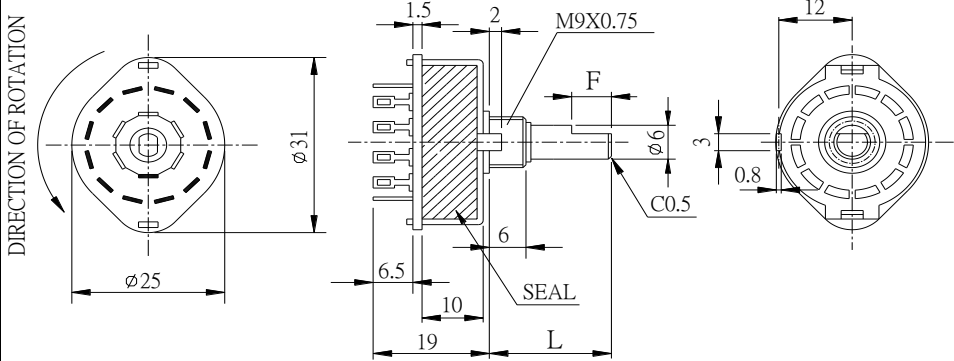

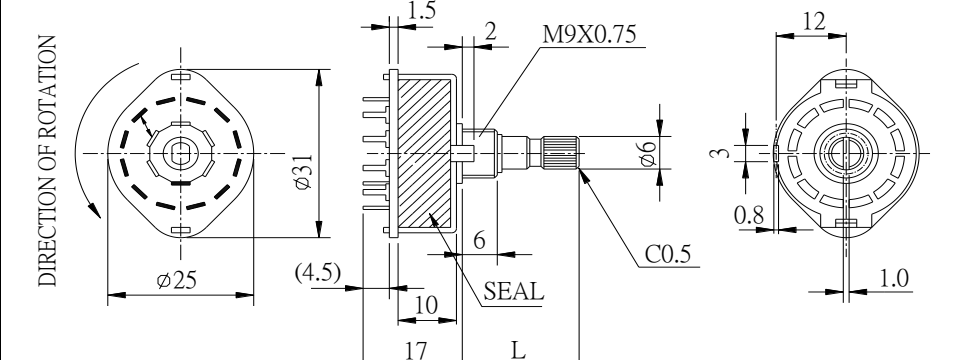
Bushing Type

Order Code	Bushing Length	Bushing Diameter
C9	6mm	M9*0.75
E9	9.5mm	M9*0.75

SR25 Sealed Series


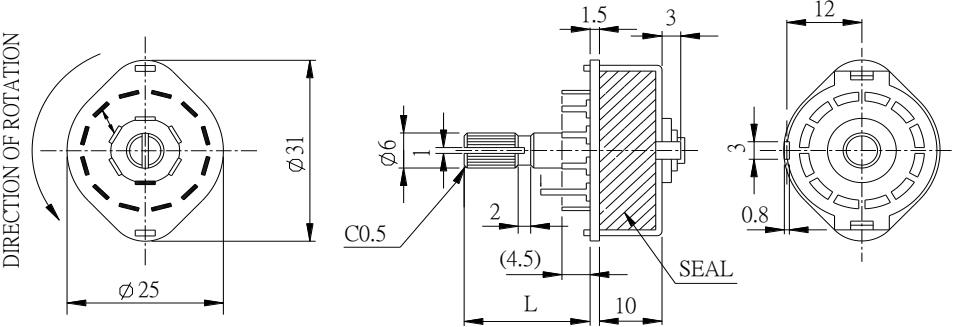
Model Description

Model	Terminal Type	Pole	Position	Changeover Angle	Changeover Timing
SR2511MF	Soldering	1	2~7, 9~12	30°	Non-Shorting/ Shorting
		2	2~6		
		3	2~4		
		4	2, 3		
		6	2		
SR2512MF	PCB	1	2~7, 9~12		
		2	2~6		
		3	2~4		
		4	2, 3		
		6	2		
SR2513MF	PCB upward	1	2~7, 9~12		
		2	2~6		
		3	3, 4		
		4	2, 3		
		6	2		

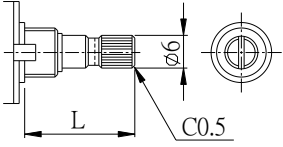
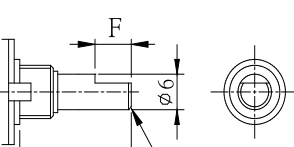
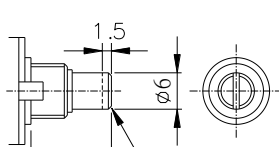
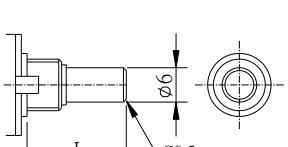
Order Code	Outline Drawing
SR2511MF-□□-(L)F0A-C9-S SR2511MF-□□-(L)F0A-C9-N 	 <p>Technical drawing for SR2511MF showing dimensions: $\phi 25$, $\phi 31$, 1.5, 2, M9X0.75, F, $\phi 6$, 3, 0.8, 6, 10, 19, L, SEAL, C0.5, and DIRECTION OF ROTATION.</p>
SR2512MF-□□-(L)K0A-C9-S SR2512MF-□□-(L)K0A-C9-N 	 <p>Technical drawing for SR2512MF showing dimensions: $\phi 25$, $\phi 31$, 1.5, 2, M9X0.75, $\phi 6$, 3, 0.8, 6, 10, 17, L, SEAL, C0.5, and DIRECTION OF ROTATION.</p>

[Back to top](#)

SR25 Sealed Series

Order Code	Outline Drawing
SR2513MF-□□-(L)K0A-T-S SR2513MF-□□-(L)K0A-T-N 	

■ Shaft Type

Order Code	(L)K0A	(L)FOA	(L)SOA	(L)ROA
Shaft Type	18 Teeth knurled	Flat shaft	Slotted shaft	Round shaft
Dimensions				
Standard Shaft Length (L)	15, 20, 25, 30			

Design and specifications presented here are for the standard parts only. Please kindly contact us for your special requests and ask for the current technical specifications before purchase and/or use.

[Back to top](#)