

16mm Molded Case Series

Application

- ✓ Audio

Feature

- ✓ Low-profile



■ Specification

Total Rotational Angle	260±5°
Maximum Operating Voltage	Linear taper (B): 200V, other tapers: 150V
Insulation Resistance	50MΩ at DC500V
Dielectric Strength	AC500V for 1 minute
Rotational Torque	20-200 gf.cm
Switch Working Angle	30±10°
Switch Working Torque	70-400 gf.cm
Switch Raging	12V DC 1A
Switch Circuit	S.P.S.T
Rotation Life	15,000 cycles

■ How to order

RV161F-30 – 012J - B10K – 00K

[Model](#)

[Shaft Type](#)

Taper and Resistance Value

Ex:

Order Code	Taper	Resistance Value
A100K	Audio/Log/A	100KΩ
B1M	Linear/B	1MΩ
C500K	Rev-log/C	500KΩ

Taper: A, B and C

Resistance Value: 1KΩ to 500KΩ and 1MΩ

*Contact us for other requirements.


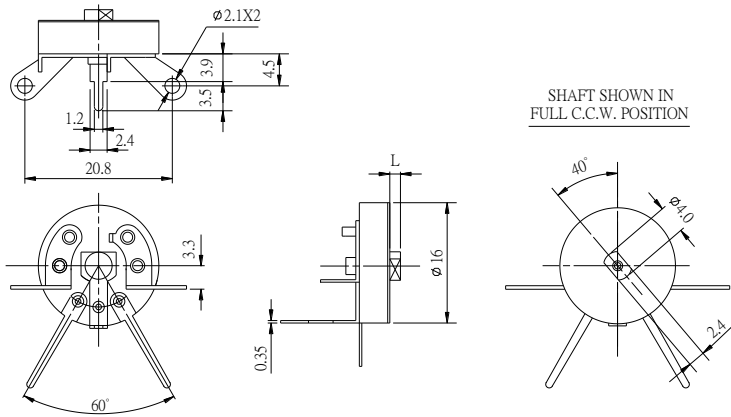
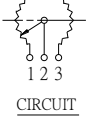

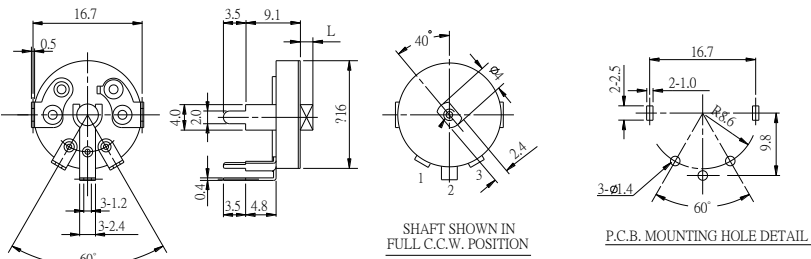
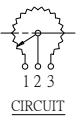
Accessory

Order Code	Description
Blank	Without
00K	With knob

16mm Molded Case Series


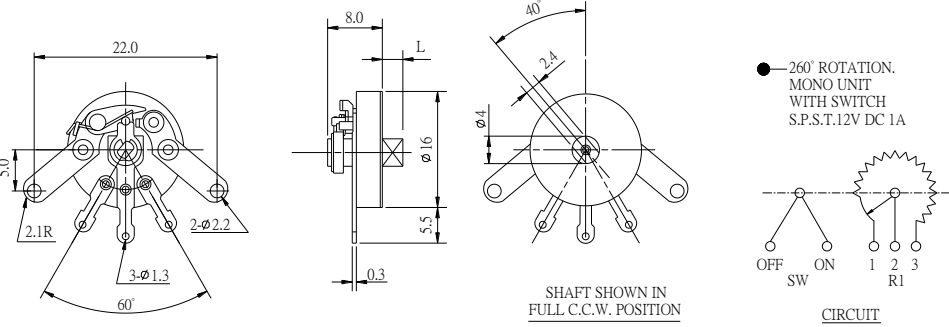

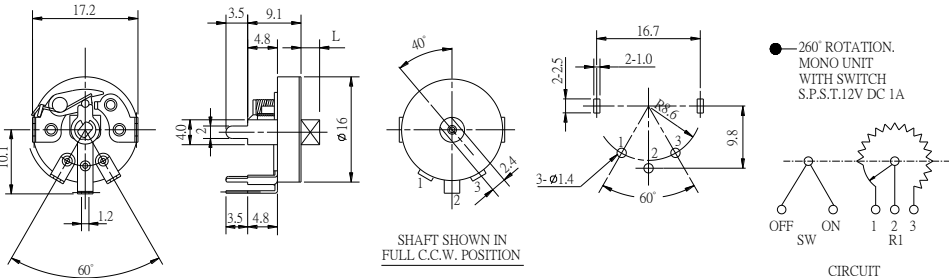
Model Description

Model	Number of Unit	Terminal Type	Switch	Rotational Angle
RV161F-22	Single unit	PCB board (horizontal)	Without switch	260°±5°
RV161F-30	Single unit	PCB board (vertical); front	Without switch	260°±5°
RV161SF-10	Single unit	Solder lug	With switch	260°±5°
RV161SF-30	Single unit	PCB board (vertical); front	With switch	260°±5°

Order Code	Outline Drawing
<p>RV161F-22</p> 	 <p>SHAFT SHOWN IN FULL C.C.W. POSITION</p> <p>● 260° ROTATION MONO UNIT</p>  <p>CIRCUIT</p>
<p>RV161F-30</p> 	 <p>SHAFT SHOWN IN FULL C.C.W. POSITION</p> <p>● 260° ROTATION MONO UNIT</p>  <p>CIRCUIT</p> <p>P.C.B. MOUNTING HOLE DETAIL</p>

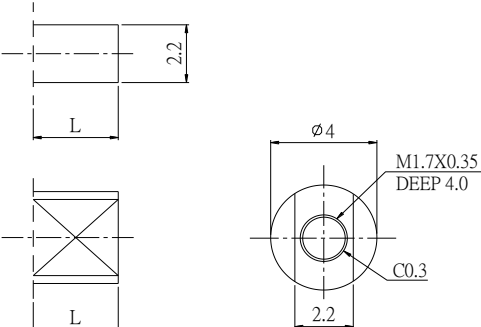
[Back to top](#)

16mm Molded Case Series

Order Code	Outline Drawing
<p>RV161SF-10</p> 	 <p>SHAFT SHOWN IN FULL C.C.W. POSITION</p> <p>CIRCUIT</p>
<p>RV161SF-30</p> 	 <p>SHAFT SHOWN IN FULL C.C.W. POSITION</p> <p>CIRCUIT</p>

[Back to top](#)

■ Shaft Type

	<table border="1"> <thead> <tr> <th data-bbox="796 1382 1078 1473">Order Code</th> <th data-bbox="1078 1382 1364 1473">Shaft Length (L)</th> </tr> </thead> <tbody> <tr> <td data-bbox="796 1473 1078 1570">012J</td> <td data-bbox="1078 1473 1364 1570">1.2 mm</td> </tr> <tr> <td data-bbox="796 1570 1078 1666">02J</td> <td data-bbox="1078 1570 1364 1666">2.0 mm</td> </tr> </tbody> </table>	Order Code	Shaft Length (L)	012J	1.2 mm	02J	2.0 mm
Order Code	Shaft Length (L)						
012J	1.2 mm						
02J	2.0 mm						

Design and specifications presented here are for the standard parts only. Please kindly contact us for your special requests and ask for the current technical specifications before purchase and/or use.

[Back to top](#)