

## 11mm Snap-In, Insulated and Metal Shaft

### Application

- ✓ TV/Video, Audio, Home appliance, Musical instrument

### Feature

- ✓ Closed structure helps reducing dust



### ■Specification

Total Rotational Angle	300±5°
Maximum Operating Voltage	50V AC, 20V DC (RV110TF series is designed for AC voltage only)
Insulation Resistance	100MΩ at DC500V
Dielectric Strength	AC300V for 1 minute
Rotational Torque	20-200 gf.cm (RV110F-40B1: 10-200 gf.cm)
Click Torque	Rotational torque + 20-200 gf.cm (RV110F-40B1: Rotational torque + 10-200 gf.cm)
Rotational Stop Strength of the Shaft	With bushing: 5 kgf.cm min; without bushing: 4kgf.cm min
Push/Pull Strength of the Shaft	6kgf for 3 sec
Rotation Life	15,000 cycles

### ■How to order

RV110F-20 – 15A - B10K - 0C

[Model](#)

[Shaft Type](#)

#### Taper and Resistance Value

Order Code	Taper	Resistance Value
A100K	Log/A	100KΩ
B1M	Linear/B	1MΩ
C500K	Rev-log/C	500KΩ

Taper: A, B and C

Resistance Value: 1KΩ to 500KΩ and 1MΩ

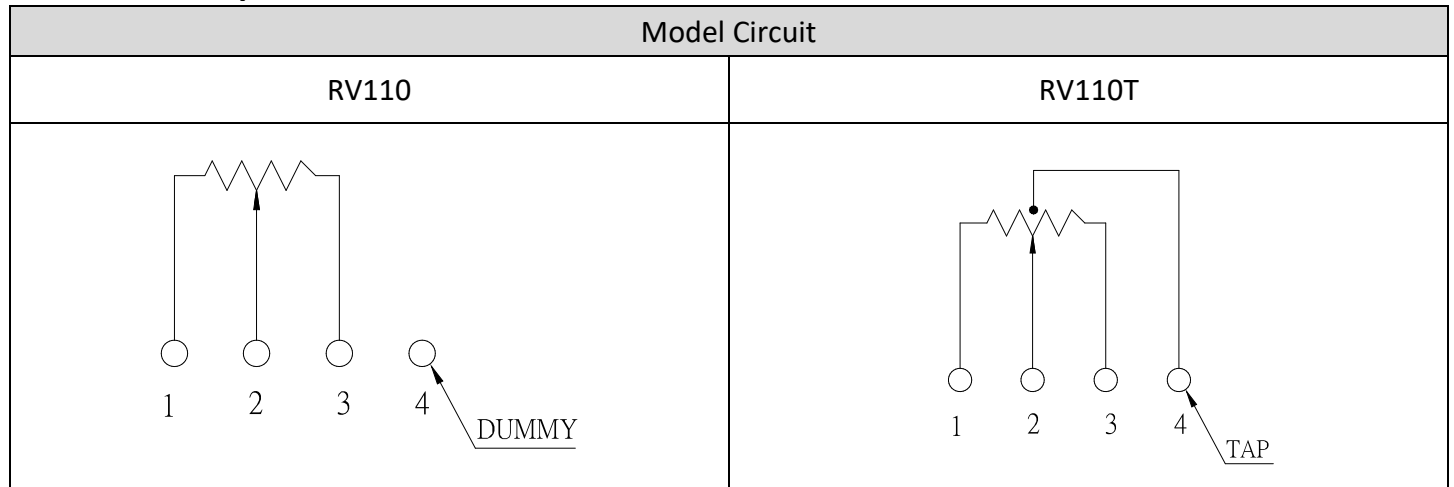
\*Contact us for other requirements.

#### Click

Order Code	Description
Blank	No click
0C	With center click

## 11mm Snap-In, Insulated and Metal Shaft

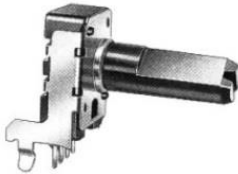
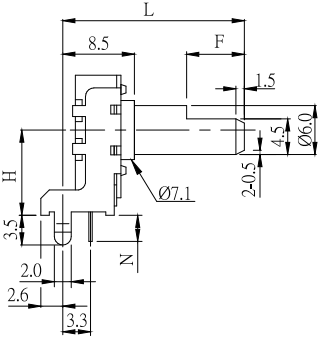
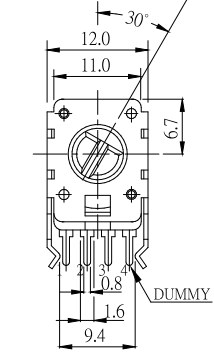
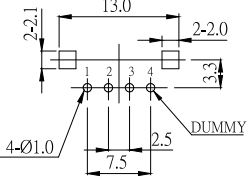
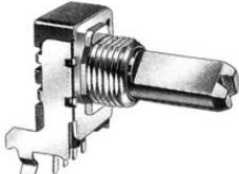
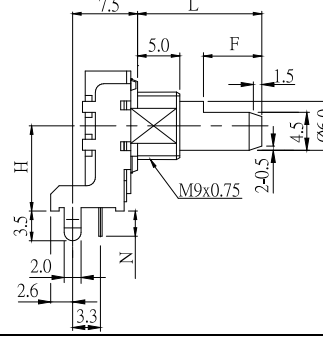
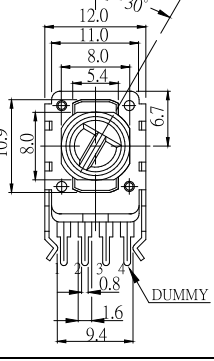
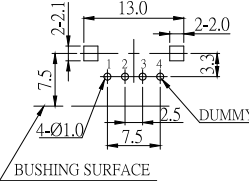

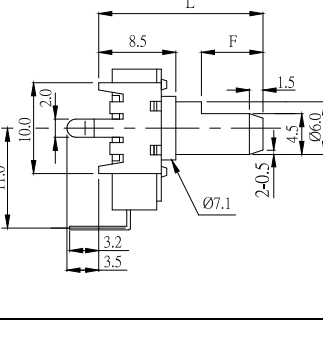
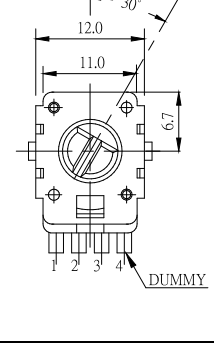
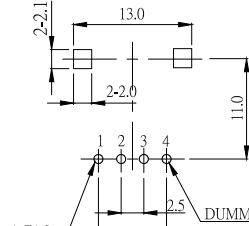

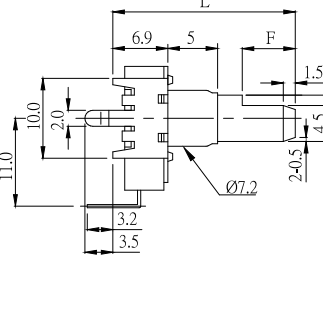
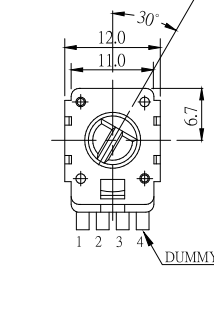
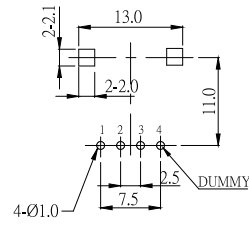
### ■ Model Description



Model	Number of Unit	Terminal Type	With Sleeve or Bushing	Tap
<a href="#">RV110F-20</a>	Single unit	Horizontal	N/A	N/A
<a href="#">RV110F-20E1</a>	Single unit	Horizontal	Bushing	N/A
<a href="#">RV110F-21E1</a>	Single unit	Horizontal	Bushing	N/A
<a href="#">RV110F-40</a>	Single unit	Vertical	N/A	N/A
<a href="#">RV110CF-40</a>	Single unit	Vertical	Sleeve	N/A
<a href="#">RV110F-40B1</a>	Single unit	Vertical	Bushing	N/A
<a href="#">RV110F-40E1</a>	Single unit	Vertical	Bushing	N/A
<a href="#">RV110TF-20E1</a>	Single unit	Horizontal	Bushing	With tap
<a href="#">RV110TF-40</a>	Single unit	Vertical	N/A	With tap
<a href="#">RV110TCF-40</a>	Single unit	Vertical	Sleeve	With tap
<a href="#">RV110TF-40B1</a>	Single unit	Vertical	Bushing	With tap
<a href="#">RV110TF-40E1</a>	Single unit	Vertical	Bushing	With tap


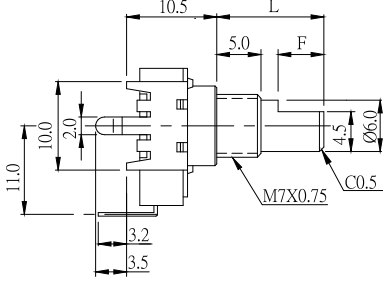
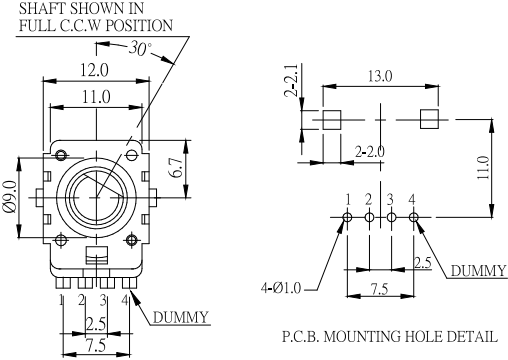

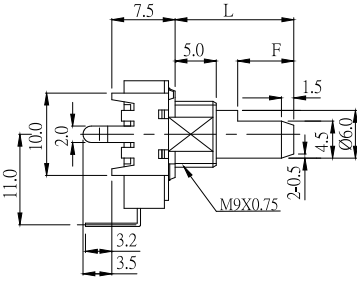
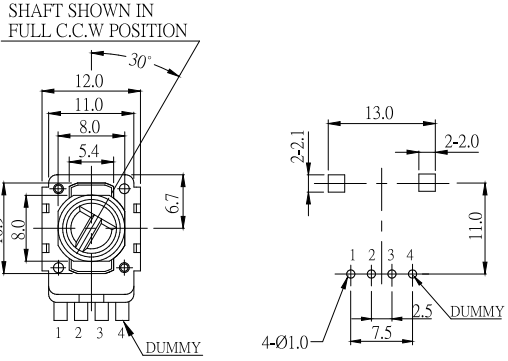
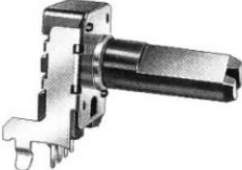
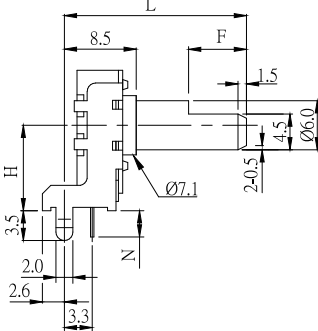
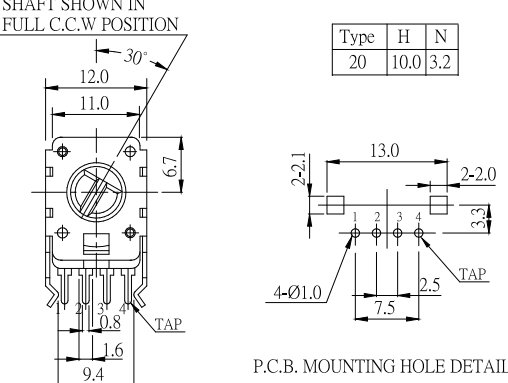
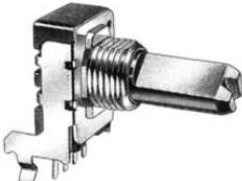
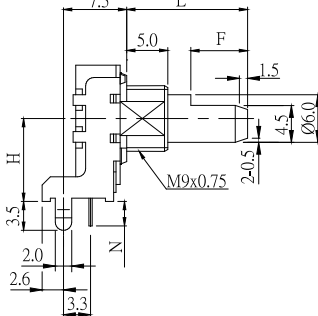
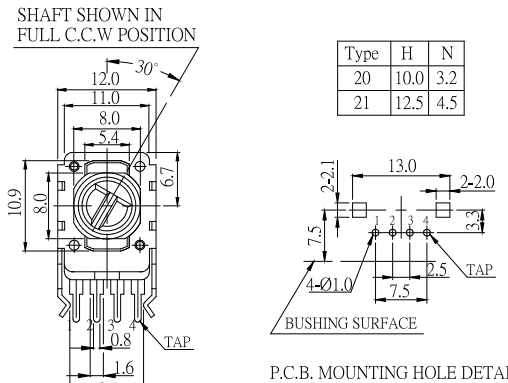
[Back to top](#)

## 11mm Snap-In, Insulated and Metal Shaft

Order Code	Outline Drawing											
<p>RV110F-20</p> 		<p>SHAFT SHOWN IN FULL C.C.W POSITION</p> 	<table border="1" data-bbox="1299 331 1430 387"> <thead> <tr> <th>Type</th> <th>H</th> <th>N</th> </tr> </thead> <tbody> <tr> <td>20</td> <td>10.0</td> <td>3.2</td> </tr> </tbody> </table>  <p>P.C.B. MOUNTING HOLE DETAIL</p>	Type	H	N	20	10.0	3.2			
Type	H	N										
20	10.0	3.2										
<p>RV110F-20E1 RV110F-21E1(MOQ:10Kpcs)</p> 		<p>SHAFT SHOWN IN FULL C.C.W POSITION</p> 	<table border="1" data-bbox="1299 772 1430 853"> <thead> <tr> <th>Type</th> <th>H</th> <th>N</th> </tr> </thead> <tbody> <tr> <td>20</td> <td>10.0</td> <td>3.2</td> </tr> <tr> <td>21</td> <td>12.5</td> <td>4.5</td> </tr> </tbody> </table>  <p>P.C.B. MOUNTING HOLE DETAIL</p>	Type	H	N	20	10.0	3.2	21	12.5	4.5
Type	H	N										
20	10.0	3.2										
21	12.5	4.5										
<p>RV110F-40</p> 		<p>SHAFT SHOWN IN FULL C.C.W POSITION</p> 	 <p>P.C.B. MOUNTING HOLE DETAIL</p>									
<p>RV110CF-40</p> 		<p>SHAFT SHOWN IN FULL C.C.W POSITION</p> 	 <p>P.C.B. MOUNTING HOLE DETAIL</p>									


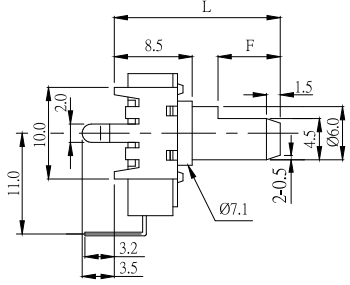
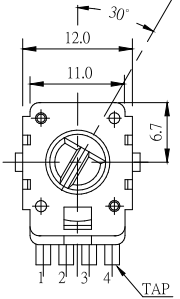
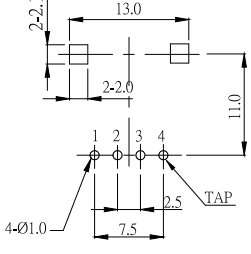

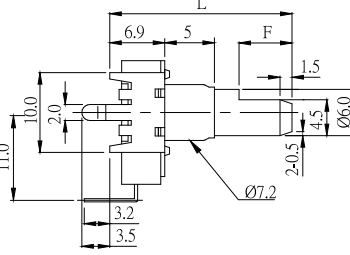
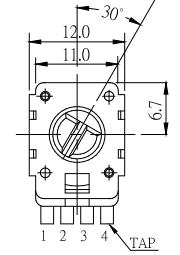
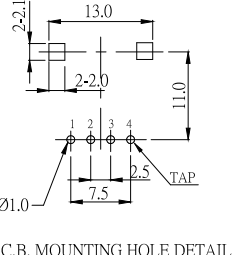

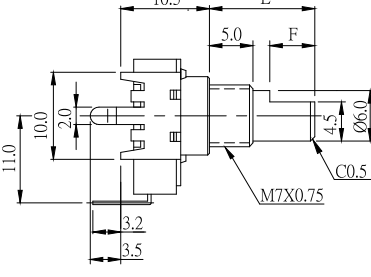
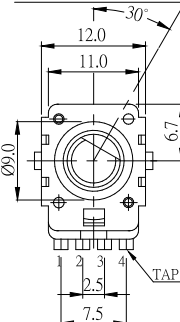
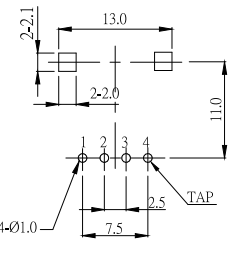

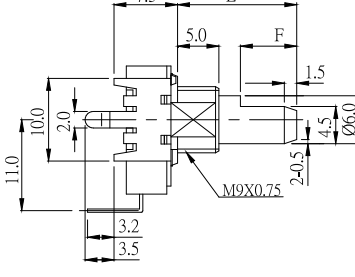
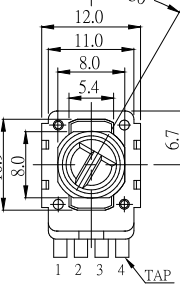
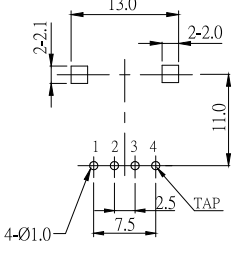
[Back to top](#)

## 11mm Snap-In, Insulated and Metal Shaft

Order Code	Outline Drawing										
RV110F-40B1 		 <p>SHAFT SHOWN IN FULL C.C.W POSITION</p> <p>P.C.B. MOUNTING HOLE DETAIL</p>									
RV110F-40E1 		 <p>SHAFT SHOWN IN FULL C.C.W POSITION</p> <p>P.C.B. MOUNTING HOLE DETAIL</p>									
RV110TF-20 		 <p>SHAFT SHOWN IN FULL C.C.W POSITION</p> <table border="1" data-bbox="1321 1200 1449 1249"> <thead> <tr> <th>Type</th> <th>H</th> <th>N</th> </tr> </thead> <tbody> <tr> <td>20</td> <td>10.0</td> <td>3.2</td> </tr> </tbody> </table> <p>P.C.B. MOUNTING HOLE DETAIL</p>	Type	H	N	20	10.0	3.2			
Type	H	N									
20	10.0	3.2									
RV110TF-20E1 RV110TF-21E1 (MOQ:10Kpcs) 		 <p>SHAFT SHOWN IN FULL C.C.W POSITION</p> <table border="1" data-bbox="1329 1648 1457 1720"> <thead> <tr> <th>Type</th> <th>H</th> <th>N</th> </tr> </thead> <tbody> <tr> <td>20</td> <td>10.0</td> <td>3.2</td> </tr> <tr> <td>21</td> <td>12.5</td> <td>4.5</td> </tr> </tbody> </table> <p>P.C.B. MOUNTING HOLE DETAIL</p>	Type	H	N	20	10.0	3.2	21	12.5	4.5
Type	H	N									
20	10.0	3.2									
21	12.5	4.5									

[Back to top](#)

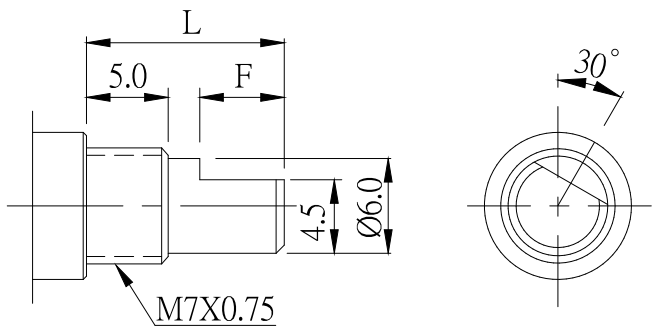
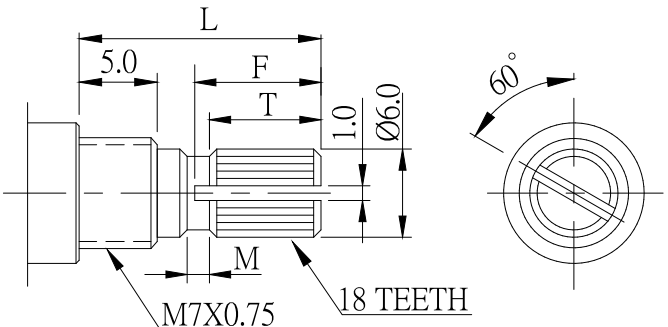
## 11mm Snap-In, Insulated and Metal Shaft

Order Code	Outline Drawing		
<p>RV110TF-40</p> 		<p>SHAFT SHOWN IN FULL C.C.W POSITION</p> 	 <p>P.C.B. MOUNTING HOLE DETAIL</p>
<p>RV110TCF-40</p> 		<p>SHAFT SHOWN IN FULL C.C.W POSITION</p> 	 <p>P.C.B. MOUNTING HOLE DETAIL</p>
<p>RV110TF-40B1</p> 		<p>SHAFT SHOWN IN FULL C.C.W POSITION</p> 	 <p>P.C.B. MOUNTING HOLE DETAIL</p>
<p>RV110TF-40E1</p> 		<p>SHAFT SHOWN IN FULL C.C.W POSITION</p> 	 <p>P.C.B. MOUNTING HOLE DETAIL</p>

[Back to top](#)

## 11mm Snap-In, Insulated and Metal Shaft

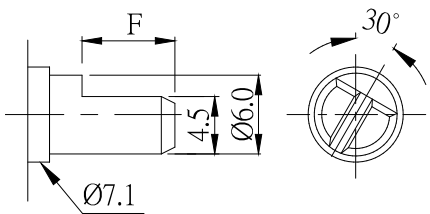
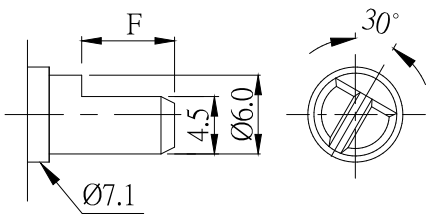
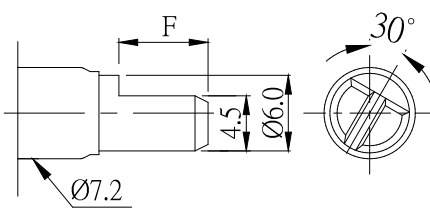
### ■ Metal Shaft Type

F Type	K Type																																
RV110F-40B1-(L)F RV110TF-40B1-(L)F	RV110F-40B1-(L)K RV110TF-40B1-(L)K																																
																																	
<table border="1"> <thead> <tr> <th>Order Code</th> <th>15F</th> <th>20F</th> <th>25F</th> </tr> </thead> <tbody> <tr> <td>L</td> <td>15</td> <td>20</td> <td>25</td> </tr> <tr> <td>F</td> <td>7</td> <td>12</td> <td>12</td> </tr> </tbody> </table>	Order Code	15F	20F	25F	L	15	20	25	F	7	12	12	<table border="1"> <thead> <tr> <th>Order Code</th> <th>15K</th> <th>20K</th> <th>25K</th> </tr> </thead> <tbody> <tr> <td>L</td> <td>15</td> <td>20</td> <td>25</td> </tr> <tr> <td>F</td> <td>7</td> <td>12</td> <td>12</td> </tr> <tr> <td>T</td> <td>6</td> <td>10</td> <td>10</td> </tr> <tr> <td>M</td> <td>1</td> <td>2</td> <td>2</td> </tr> </tbody> </table>	Order Code	15K	20K	25K	L	15	20	25	F	7	12	12	T	6	10	10	M	1	2	2
Order Code	15F	20F	25F																														
L	15	20	25																														
F	7	12	12																														
Order Code	15K	20K	25K																														
L	15	20	25																														
F	7	12	12																														
T	6	10	10																														
M	1	2	2																														

[Back to top](#)

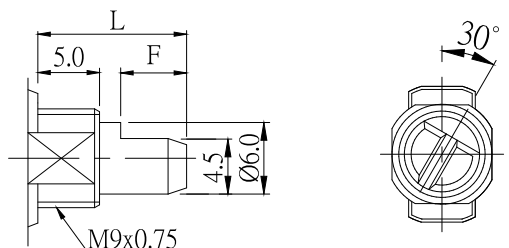
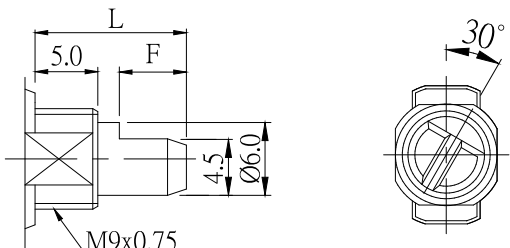
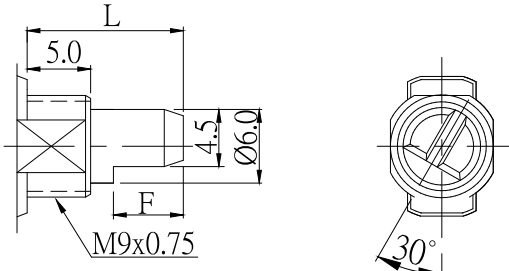
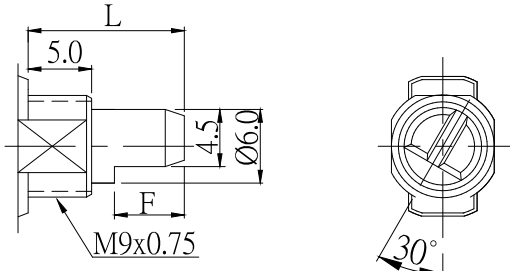
## 11mm Snap-In, Insulated and Metal Shaft

### ■ A / AW Plastic Shaft Type

RV110F-20-(L)A RV110TF-20-(L)A	RV110F-40-(L)A RV110TF-40-(L)A	RV110CF-40-(L)A RV110TCF-40-(L)A
		

Order Code	*15A	20A	225A	25A	275A	30A	325A	35A
L	15	20	21	25	27.5	30	32.5	35
F	4.5	7	7	7	12	12	12	12

\*\*15 mm is not available for RV110CF-40 and RV110CTF-40 models.

RV110(T)F-20E1(21E1)-(L)A	RV110(T)F-40E1-(L)A
	
RV110(T)F-20E1(21E1)-(L)AW	RV110(T)F-40E1-(L)AW
	

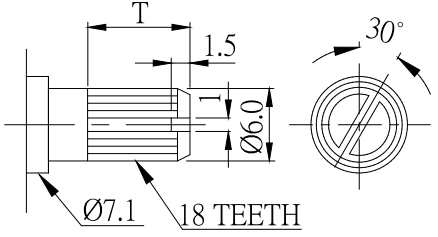
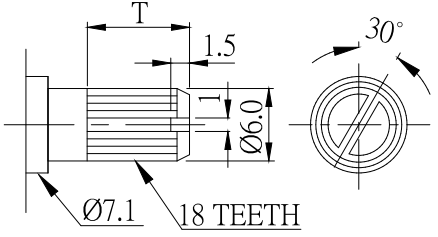
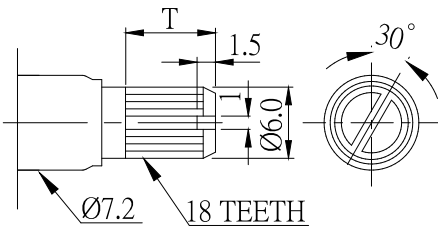
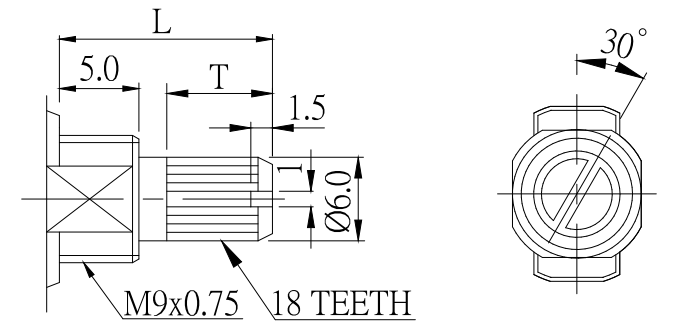
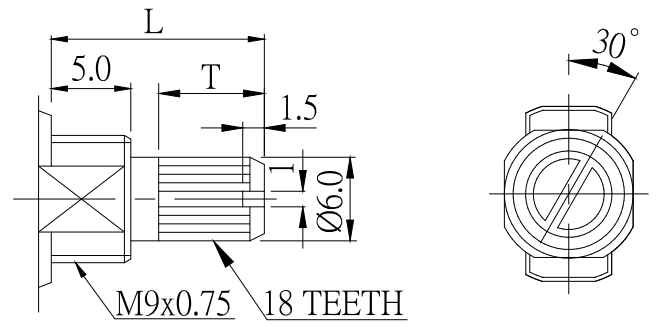
Order Code	125A	135A	15A	175A	225A	275A	29A
	125AW	135AW	15AW	175AW	225AW	275AW	29AW
L	12.5	13.5	15	17.5	22.5	27.5	29
F	7	7	7	7*	12	12	12

\*\*17.5mm with F = 7mm is only available for A type, not AW type.

[Back to top](#)

## 11mm Snap-In, Insulated and Metal Shaft

### ■ B Plastic Shaft Type

RV110F-20 -(L)B RV110TF-20-(L)B	RV110F-40-(L)B RV110TF-40-(L)B	RV110CF-40-(L)B RV110TCF-40-(L)B															
																	
<table border="1" data-bbox="518 795 1069 952"> <thead> <tr> <th>Order Code</th> <th>20B</th> <th>275B</th> <th>30B</th> </tr> </thead> <tbody> <tr> <td>L</td> <td>20</td> <td>27.5</td> <td>30</td> </tr> <tr> <td>T</td> <td>7</td> <td>12</td> <td>12</td> </tr> </tbody> </table>			Order Code	20B	275B	30B	L	20	27.5	30	T	7	12	12			
Order Code	20B	275B	30B														
L	20	27.5	30														
T	7	12	12														
RV110F-20E1(21E1)-(L)B RV110TF-20E1(21E1)-(L)B	RV110F-40E1-(L)B RV110TF-40E1-(L)B																
																	
<table border="1" data-bbox="462 1639 1125 1796"> <thead> <tr> <th>Order Code</th> <th>125B</th> <th>20B</th> <th>225B</th> <th>25B</th> </tr> </thead> <tbody> <tr> <td>L</td> <td>12.5</td> <td>20</td> <td>22.5</td> <td>25</td> </tr> <tr> <td>T</td> <td>7</td> <td>12</td> <td>12</td> <td>12</td> </tr> </tbody> </table>			Order Code	125B	20B	225B	25B	L	12.5	20	22.5	25	T	7	12	12	12
Order Code	125B	20B	225B	25B													
L	12.5	20	22.5	25													
T	7	12	12	12													

Design and specifications presented here are for the standard parts only. Please kindly contact us for your special requests and ask for the current technical specifications before purchase and/or use.

[Back to top](#)