

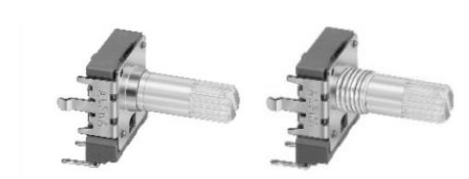
14mm Rotary Type, Snap-In, Transparent Shaft

Application

- ✓ TV/Video, Audio, Home appliance, Musical instrument

Feature

- ✓ Light pipe compatible with DIP LED



■Specification

Total Rotational Angle	300±5°
Maximum Operating Voltage	RV141F: 50V AC (RV141F is designed for AC voltage only),
Insulation Resistance	100MΩ min at DC250V
Dielectric Strength	AC300V for 1 minute
Rotational Torque	RV141F: 10-200 gf.cm
Click Torque	RV141F: 30-200 gf.cm
Rotational Stop Strength of the Shaft	RV141F: 4 kgf.cm min
Push/Pull Strength of the Shaft	8kgf for 3 sec
Rotation Life	15,000 cycles

■How to order

RV141F-40 - 25BL - B10K - 0C

[Model](#)

[Shaft Type](#)

Taper and Resistance Value

Order Code	Taper	Resistance Value
A100K	Log/A	100KΩ
B1M	Linear/B	1MΩ
C500K	Rev-log/C	500KΩ

Taper: A, B and C

Resistance Value: 1KΩ to 500KΩ and 1MΩ

*Contact us for other requirements.


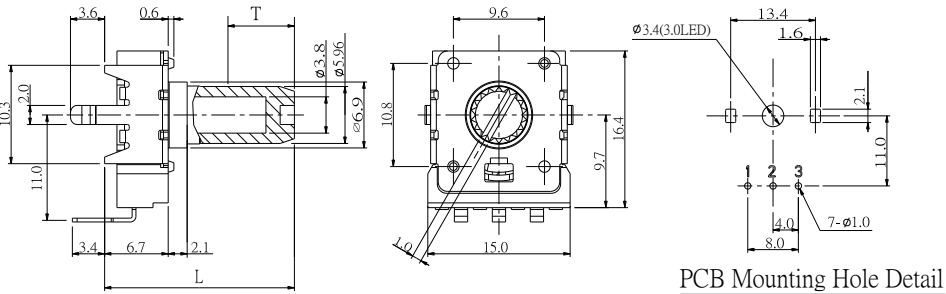

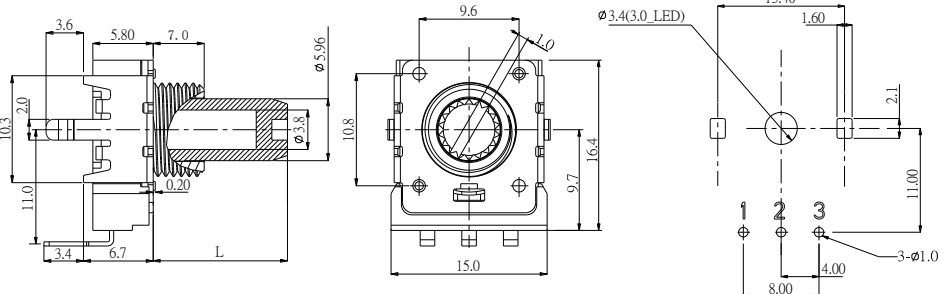
Click

Order Code	Description
Blank	No click
0C	With center click

14mm Rotary Type, Snap-In, Transparent Shaft

Model Description

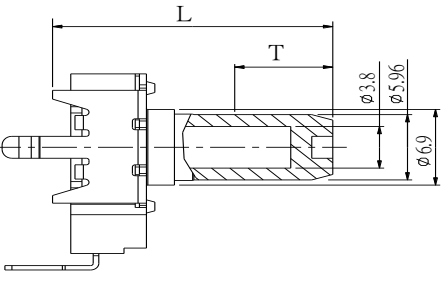
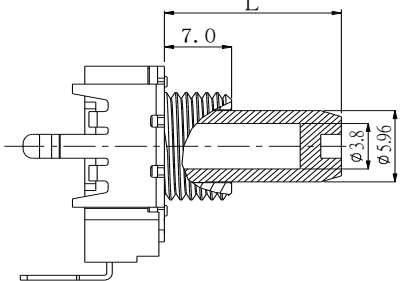
Model	Number of Unit	Terminal Type	Bushing	Rotational Angle
RV141F-40	Single unit	Vertical	N/A	300±5°
RV141F-40E3	Single unit	Vertical	Bushing	300±5°

Order Code	Outline Drawing
RV141F-40 (Transparent Shaft) 	 <p>PCB Mounting Hole Detail</p>
RV141F-40E3 (Transparent Shaft) 	 <p>PCB Mounting Hole Detail</p>

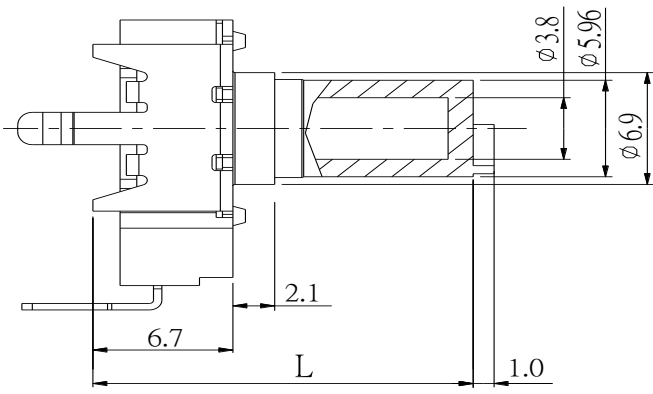
[Back to top](#)

14mm Rotary Type, Snap-In, Transparent Shaft

■ BL Type Plastic Shaft

RV141F-40-(L)BL	RV141F-40E3-(L)BL												
													
<table border="1" data-bbox="287 817 587 963"> <tr> <td>Order Code</td> <td>25BL</td> </tr> <tr> <td>L</td> <td>25</td> </tr> <tr> <td>T</td> <td>7</td> </tr> </table>	Order Code	25BL	L	25	T	7	<table border="1" data-bbox="989 817 1324 963"> <tr> <td>Order Code</td> <td>18BL</td> </tr> <tr> <td>L</td> <td>18</td> </tr> <tr> <td>T</td> <td>7</td> </tr> </table>	Order Code	18BL	L	18	T	7
Order Code	25BL												
L	25												
T	7												
Order Code	18BL												
L	18												
T	7												

■ SL Type Plastic Shaft

RV141F-40-(L)SL					
					
<table border="1" data-bbox="635 1697 957 1803"> <tr> <td>Order Code</td> <td>18SL</td> </tr> <tr> <td>L</td> <td>18</td> </tr> </table>		Order Code	18SL	L	18
Order Code	18SL				
L	18				

Design and specifications presented here are for the standard parts only. Please kindly contact us for your special requests and ask for the current technical specifications before purchase and/or use.

[Back to top](#)