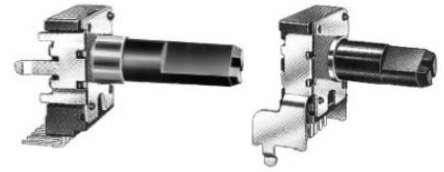


14mm Dual Gangs, Snap-In Series

Application

- ✓ TV/Video, Audio, Home appliance, Musical instrument, Industrial control



Feature

- ✓ Suit for various applications

■Specification

Total Rotational Angle	300±5°
Maximum Operating Voltage	50V AC, 20V DC
Insulation Resistance	100MΩ min at DC250V
Dielectric Strength	AC300V for 1 minute
Rotational Torque	20-200 gf.cm
Click Torque	30-300 gf.cm
Rotational Stop Strength of the Shaft	With bushing: 5kgf-cm, without bushing: 4kgf-cm
Push/Pull Strength of the Shaft	8kgf for 3 sec
Rotation Life	15,000 cycles

■How to order

RV142BF-40E1 - 25A - B10K - 0C

[Model](#)

[Shaft Type](#)

Taper and Resistance Value

Order Code	Taper	Resistance Value
A100K	Log/A	100KΩ
B500K	Linear/B	500KΩ
C20K	Rev-log/C	20KΩ

Taper: A, B and C

Resistance Value: 1KΩ to 500KΩ

*RV142TF, RV142TCF only have B taper.

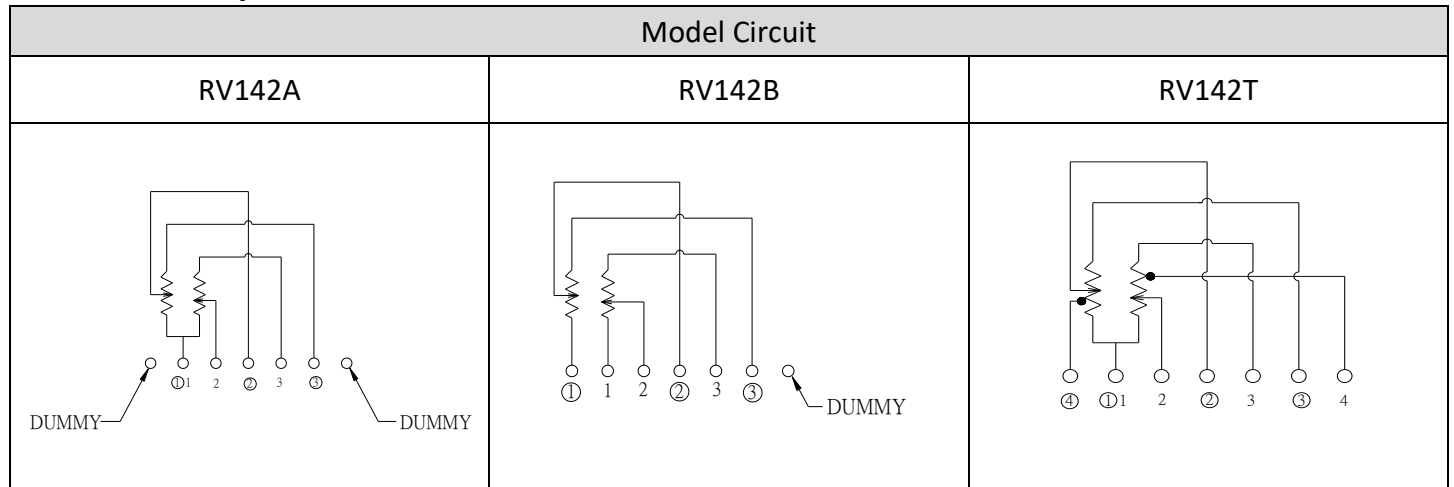
*Contact us for other requirements.

Click

Order Code	Description
Blank	No click
0C	With center click

14mm Dual Gangs, Snap-In Series

■ Model Description

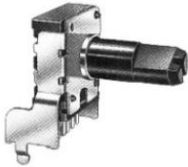
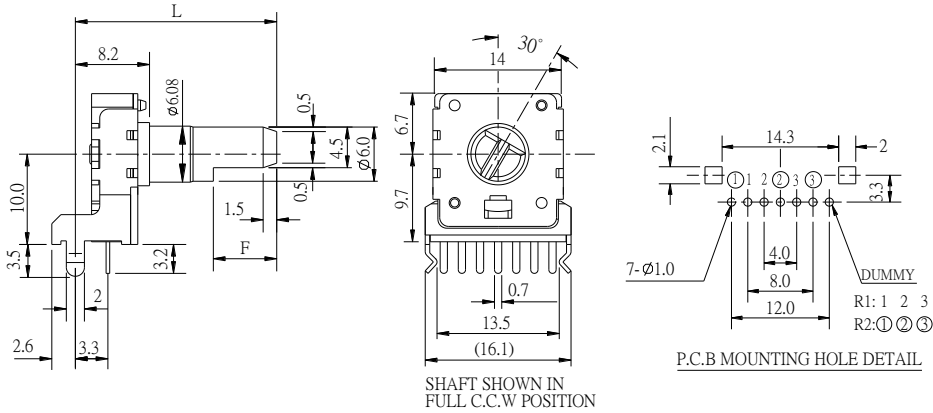
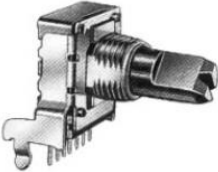
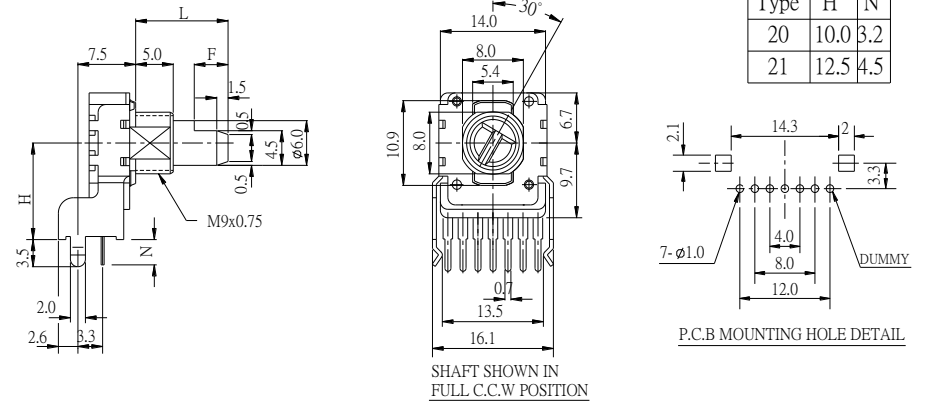


Model	Number of Unit	Terminal Type	With Sleeve or Bushing	Tap
RV142AF-20	Dual unit	Horizontal	N/A	N/A
RV142AF-20E1	Dual unit	Horizontal	Bushing	N/A
RV142AF-21E1	Dual unit	Horizontal	Bushing	N/A
RV142AF-40	Dual unit	Vertical	N/A	N/A
RV142AF-40E1	Dual unit	Vertical	Bushing	N/A
RV142ACF-40	Dual unit	Vertical	Sleeve	N/A
RV142BF-20	Dual unit	Horizontal	N/A	N/A
RV142BF-20E1	Dual unit	Horizontal	Bushing	N/A
RV142BF-21E1	Dual unit	Horizontal	Bushing	N/A
RV142BF-40	Dual unit	Vertical	N/A	N/A
RV142BF-40E1	Dual unit	Vertical	Bushing	N/A
RV142BCF-40	Dual unit	Vertical	Sleeve	N/A

[Back to top](#)

14mm Dual Gangs, Snap-In Series

Model	Number of Unit	Terminal Type	With Sleeve or Bushing	Tap
RV142TF-20	Dual unit	Horizontal	N/A	With tap
RV142TF-20E1	Dual unit	Horizontal	Bushing	With tap
RV142TF-21E1	Dual unit	Horizontal	Bushing	With tap
RV142TF-40	Dual unit	Vertical	N/A	With tap
RV142TF-40E1	Dual unit	Vertical	Bushing	With tap
RV142TCF-40	Dual unit	Vertical	Sleeve	With tap


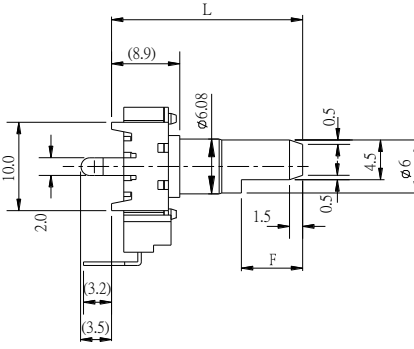
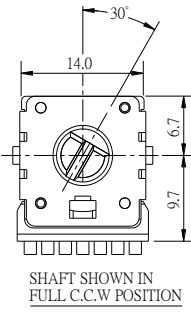
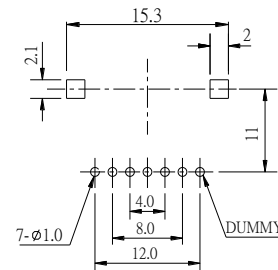
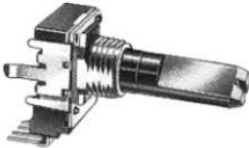
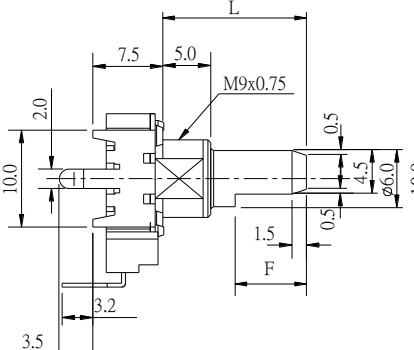
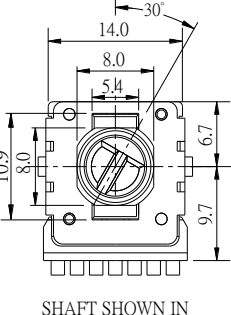
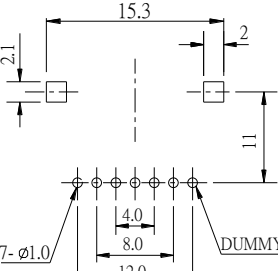

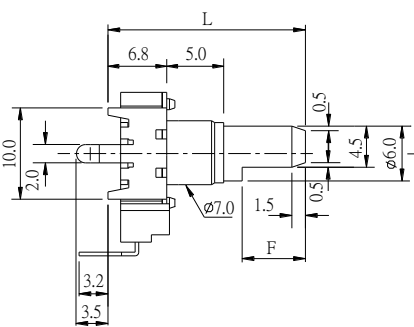
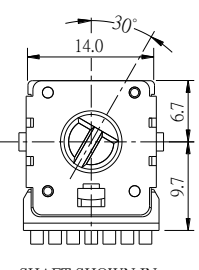
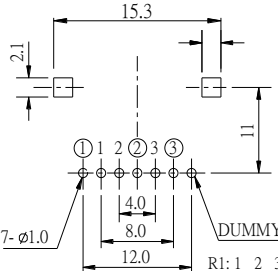
Order Code	Outline Drawing									
RV142AF-20 RV142BF-20 RV142TF-20 	 <p>SHAFT SHOWN IN FULL C.C.W POSITION</p>									
RV142AF-20E1 RV142BF-20E1 RV142TF-20E1 RV142AF-21E1 RV142BF-21E1 RV142TF-21E1 	 <table border="1" data-bbox="1315 1440 1458 1536"> <thead> <tr> <th>Type</th> <th>H</th> <th>N</th> </tr> </thead> <tbody> <tr> <td>20</td> <td>10.0</td> <td>3.2</td> </tr> <tr> <td>21</td> <td>12.5</td> <td>4.5</td> </tr> </tbody> </table> <p>SHAFT SHOWN IN FULL C.C.W POSITION</p>	Type	H	N	20	10.0	3.2	21	12.5	4.5
Type	H	N								
20	10.0	3.2								
21	12.5	4.5								

[Back to top](#)

POTENTIOMETERS



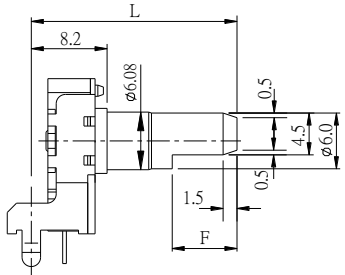
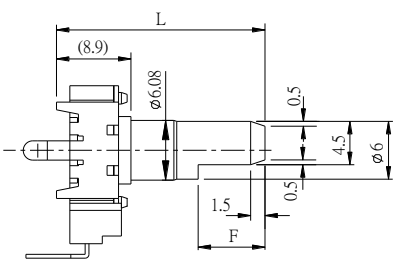
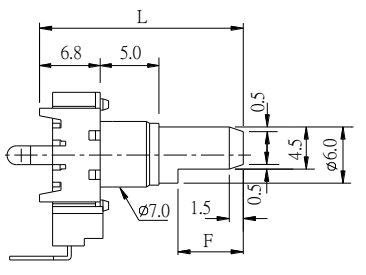
14mm Dual Gangs, Snap-In Series

Order Code	Outline Drawing		
RV142AF-40 RV142BF-40 RV142TF-40 		 <p>SHAFT SHOWN IN FULL C.C.W POSITION</p>	 <p>P.C.B MOUNTING HOLE DETAIL</p>
RV142AF-40E1 RV142BF-40E1 RV142TF-40E1 		 <p>SHAFT SHOWN IN FULL C.C.W POSITION</p>	 <p>P.C.B MOUNTING HOLE DETAIL</p>
RV142ACF-40 RV142BCF-40 RV142TCF-40 		 <p>SHAFT SHOWN IN FULL C.C.W POSITION</p>	 <p>P.C.B MOUNTING HOLE DETAIL</p> <p>R1: 1 2 3 R2: ① ② ③</p>

[Back to top](#)

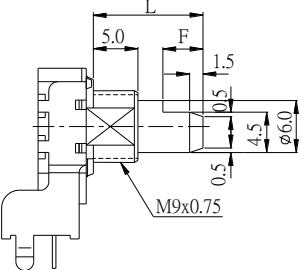
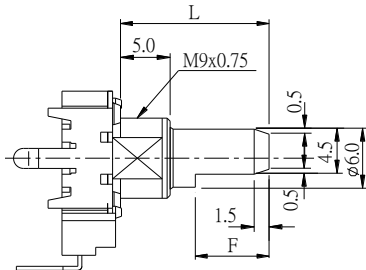
14mm Dual Gangs, Snap-In Series

■ A Type Plastic Shaft

RV142AF-20-(L)A RV142BF-20-(L)A RV142TF-20-(L)A	RV142AF-40-(L)A RV142BF-40-(L)A RV142TF-40-(L)A	RV142ACF-40-(L)A RV142BCF-40-(L)A RV142TCF-40-(L)A
		

Order Code	*15A	20A	225A	30A	325A	375A
L	15	20	21	30	32.5	37.5
F	4.5	7	7	12	12	12

**15 mm is not available for RV142ACF-40, RV142BCF-40 and RV142TCF-40 models.

RV142AF-20E1 (21E1)-(L)A RV142BF-20E1 (21E1)-(L)A RV142TF-20E1 (21E1)-(L)A	RV142AF-40E1-(L)A RV142BF-40E1-(L)A RV142TF-40E1-(L)A
	

Order Code	125A	15A	225A	25A
L	12.5	15	22.5	25
F	7	7	12	12

Design and specifications presented here are for the standard parts only. Please kindly contact us for your special requests and ask for the current technical specifications before purchase and/or use.

[Back to top](#)