

## 16mm Rotary Type, With Switch Series

### Application

- ✓ Audio, Home appliance, Musical instruments, Industrial control

### Feature

- ✓ Suitable for various applications



### ■ Specification

Total Rotational Angle	300±5°
Maximum Operating Voltage	B taper: 200V A.C ; Other taper: 150V A.C
Insulation Resistance	100MΩ at DC 500V
Dielectric Strength	A.C 500V for 1 minute
Rotational Torque	20-200 gf.cm
Click Torque	N/A
Rotational Stop Strength of the Shaft	6 kgf.cm min
Push/Pull Strength of the Shaft	6 kgf.cm for 60 sec
Rotation Life	15,000 cycles
Switch Working Angle/ Stroke	RV16BF&RV16B01F: 4mm; Others: 50±10°
Switch Working Torque/ Force	RV16BF&RV16B01F: 800 gf.cm max; Others: 50-450 gf.cm
Switch Life	10,000 cycles

### ■ How to order

RV16A04F – 20 B6 – 15K – B100K

[Model](#)

#### Bushing Type

Order Code	Description
B6	M7x0.75, 10mm
Blank	M7x0.75, 6.5 mm

[Metal Shaft Type](#)

#### Taper and Resistance Value

Order Code	Taper	Resistance Value
A100K	Log/A	100KΩ
B1M	Linear/B	1MΩ
C500K	Rev-log/C	500KΩ

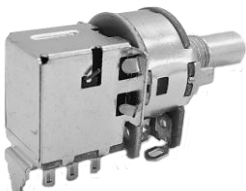
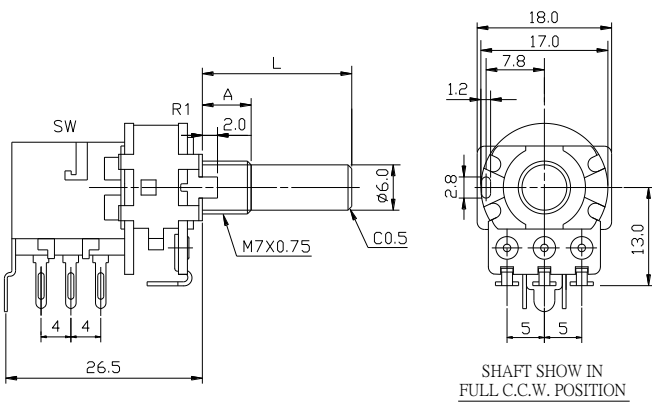
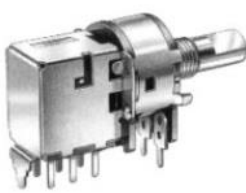
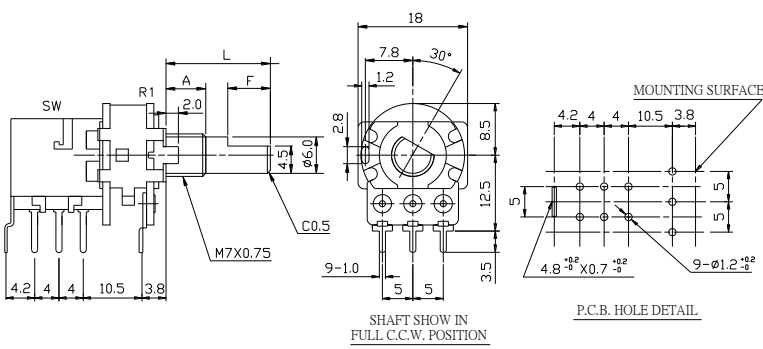
Taper: A, B and C

Resistance Value: 1KΩ to 500KΩ and 1MΩ

\*Contact us for other requirements.

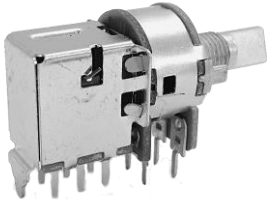
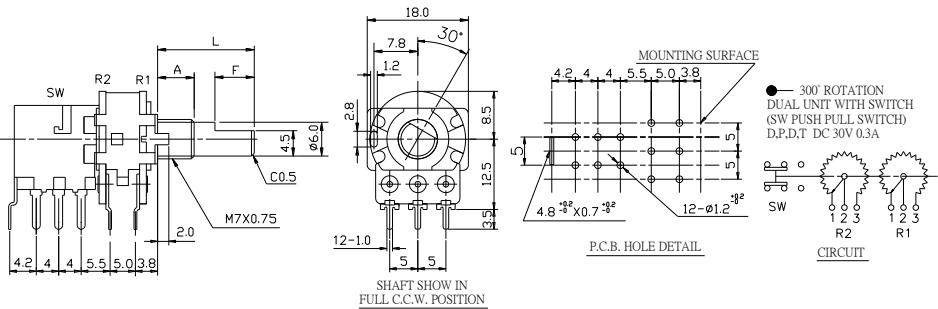

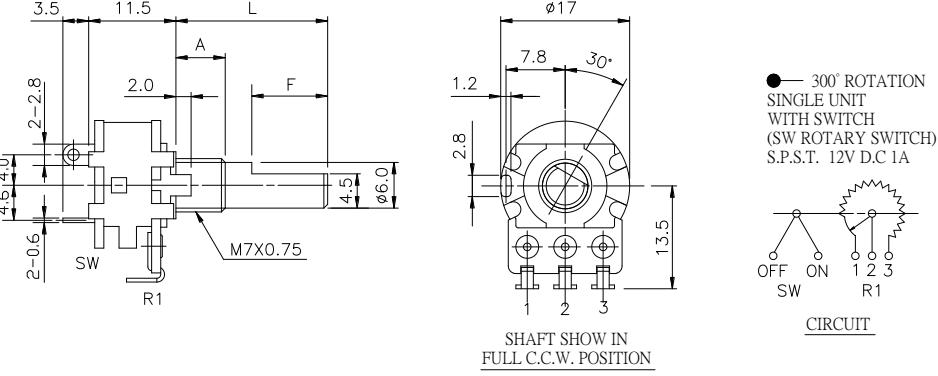

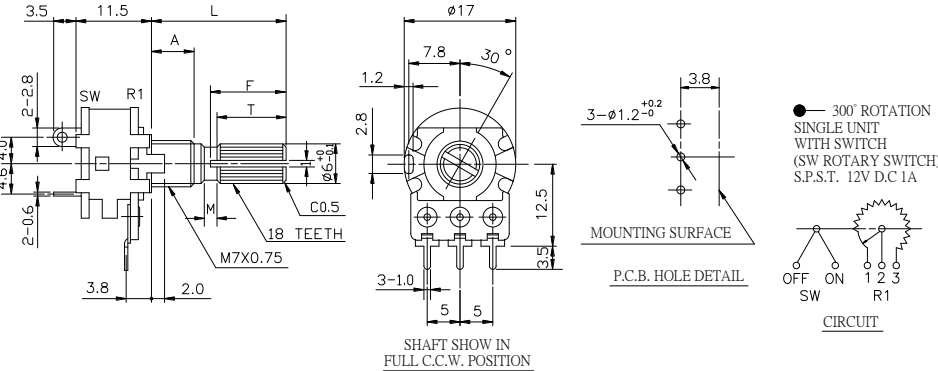

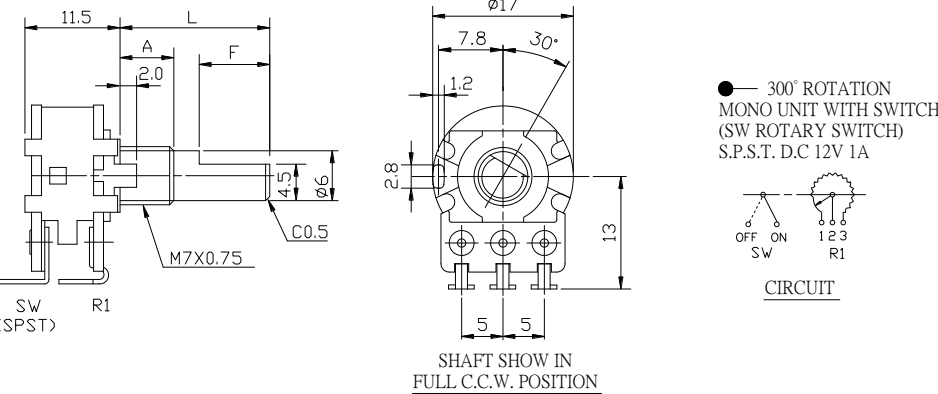
## 16mm Rotary Type, With Switch Series

Model	Number of Unit	Switch Function	Terminal Type	With Sleeve or Bushing	Rotational Angle
<a href="#">RV16BF-10</a>	Single unit	D.P.D.T. or S.P.D.T Push-Pull SW	Solder lug	Metal bushing	300°±5°
<a href="#">RV16BF-20</a>	Single unit	D.P.D.T. or S.P.D.T Push-Pull SW	Horizontal	Metal bushing	300°±5°
<a href="#">RV16B01F-20</a>	Dual unit	D.P.D.T. or S.P.D.T Push-Pull SW	Horizontal	Metal bushing	300°±5°
<a href="#">RV16A04F-10</a>	Single unit	S.P.S.T. Rotary SW	Solder lug	Metal bushing	300°±5°
<a href="#">RV16A04F-20</a>	Single unit	S.P.S.T. Rotary SW	Horizontal	Metal bushing	300°±5°
<a href="#">RV16A03F-10</a>	Single unit	S.P.S.T. Rotary SW	Solder lug	Metal bushing	300°±5°
<a href="#">RV16A03F-20</a>	Single unit	S.P.S.T. Rotary SW	Horizontal	Metal bushing	300°±5°

Order Code	Outline Drawing
RV16BF-10 	 <p>SHAFT SHOW IN FULL C.C.W. POSITION</p> <p>● 300° ROTATION MONO UNIT WITH SWITCH (SW PUSH PULL SWITCH) D,P,D,T DC 30V 0.3A</p> <p>CIRCUIT</p>
RV16BF-20 	 <p>SHAFT SHOW IN FULL C.C.W. POSITION</p> <p>MOUNTING SURFACE</p> <p>● 300° ROTATION MONO UNIT WITH SWITCH (SW PUSH PULL SWITCH) D,P,D,T DC 30V 0.3A</p> <p>CIRCUIT</p>


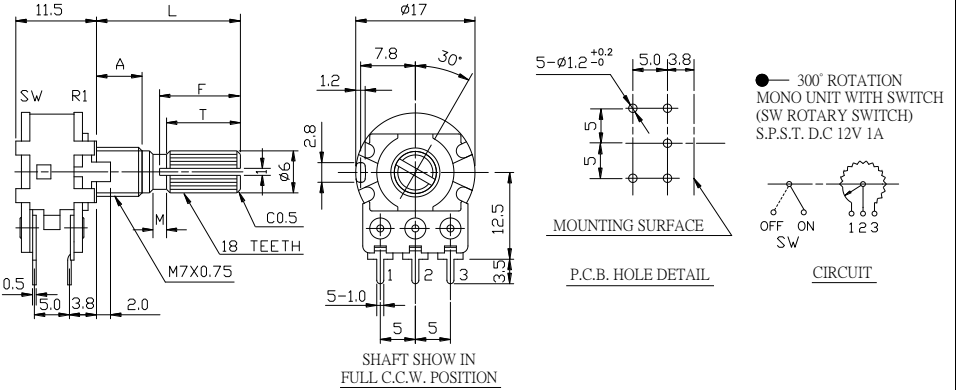
[Back to top](#)

## 16mm Rotary Type, With Switch Series

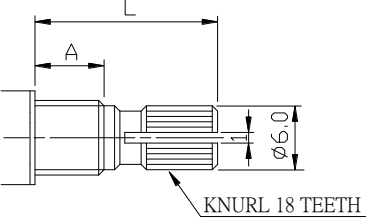
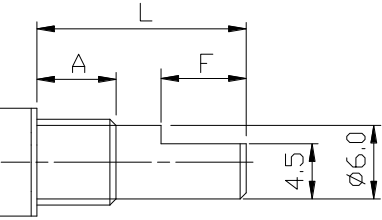
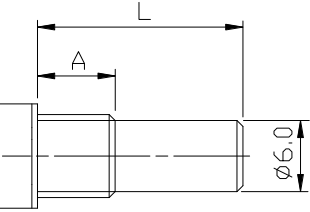
Order Code	Outline Drawing
<p>RV16B01F-20</p> 	 <p>SHAFT SHOW IN FULL C.C.W. POSITION</p> <p>300° ROTATION DUAL UNIT WITH SWITCH (SW PUSH PULL SWITCH) D.P.D.T DC 30V 0.3A</p> <p>CIRCUIT</p>
<p>RV16A04F-10</p> 	 <p>SHAFT SHOW IN FULL C.C.W. POSITION</p> <p>300° ROTATION SINGLE UNIT WITH SWITCH (SW ROTARY SWITCH) S.P.S.T. 12V D.C 1A</p> <p>CIRCUIT</p>
<p>RV16A04F-20</p> 	 <p>SHAFT SHOW IN FULL C.C.W. POSITION</p> <p>300° ROTATION SINGLE UNIT WITH SWITCH (SW ROTARY SWITCH) S.P.S.T. 12V D.C 1A</p> <p>CIRCUIT</p>
<p>RV16A03F-10</p> 	 <p>SHAFT SHOW IN FULL C.C.W. POSITION</p> <p>300° ROTATION MONO UNIT WITH SWITCH (SW ROTARY SWITCH) S.P.S.T. D.C 12V 1A</p> <p>CIRCUIT</p>

[Back to top](#)

## 16mm Rotary Type, With Switch Series

Order Code	Outline Drawing
<p>RV16A03F-20</p> 	 <p>SHAFT SHOW IN FULL C.C.W. POSITION</p> <p>● 300° ROTATION MONO UNIT WITH SWITCH (SW ROTARY SWITCH) S.P.S.T. D.C 12V 1A</p> <p>OFF ON SW</p> <p>1 2 3</p>

### ■ Metal Shaft Type

<p><b>K Type</b></p>  <p>KNURL 18 TEETH</p>	<p>A : 6.5mm</p> <table border="1" data-bbox="911 925 1158 1122"> <thead> <tr> <th>Order Code</th> <th>L</th> </tr> </thead> <tbody> <tr> <td>15K</td> <td>15</td> </tr> <tr> <td>20K</td> <td>20</td> </tr> <tr> <td>25K</td> <td>25</td> </tr> </tbody> </table>	Order Code	L	15K	15	20K	20	25K	25
Order Code	L								
15K	15								
20K	20								
25K	25								
<p><b>F Type</b></p> 	<p>A : 6.5mm</p> <table border="1" data-bbox="911 1279 1158 1476"> <thead> <tr> <th>Order Code</th> <th>L</th> </tr> </thead> <tbody> <tr> <td>15F</td> <td>15</td> </tr> <tr> <td>20F</td> <td>20</td> </tr> <tr> <td>25F</td> <td>25</td> </tr> </tbody> </table>	Order Code	L	15F	15	20F	20	25F	25
Order Code	L								
15F	15								
20F	20								
25F	25								
<p><b>R Type</b></p> 	<p>A : 6.5mm</p> <table border="1" data-bbox="911 1630 1158 1827"> <thead> <tr> <th>Order Code</th> <th>L</th> </tr> </thead> <tbody> <tr> <td>15R</td> <td>15</td> </tr> <tr> <td>20R</td> <td>20</td> </tr> <tr> <td>25R</td> <td>25</td> </tr> </tbody> </table>	Order Code	L	15R	15	20R	20	25R	25
Order Code	L								
15R	15								
20R	20								
25R	25								

Design and specifications presented here are for the standard parts only. Please kindly contact us for your special requests and ask for the current technical specifications before purchase and/or use.

[Back to top](#)